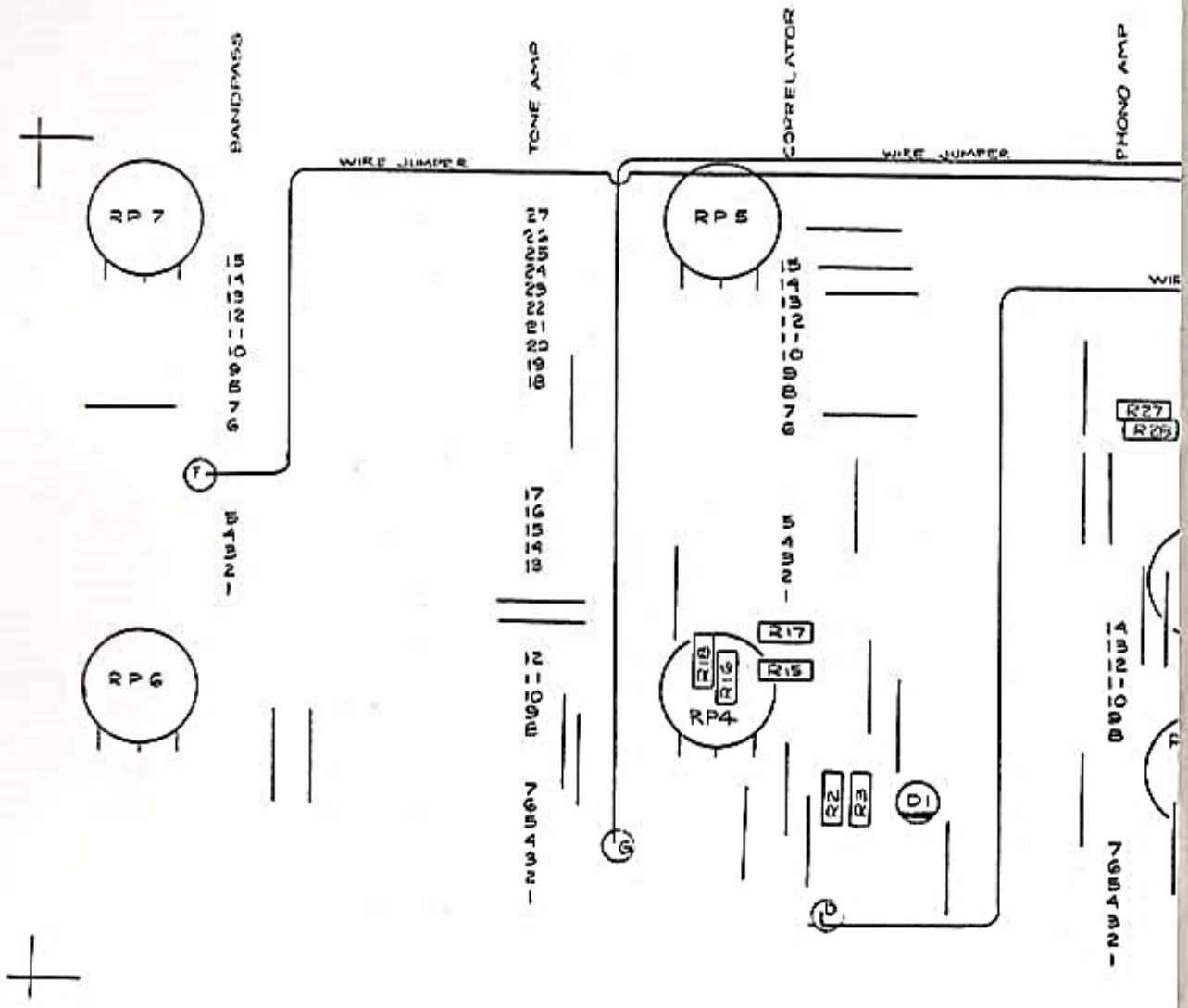
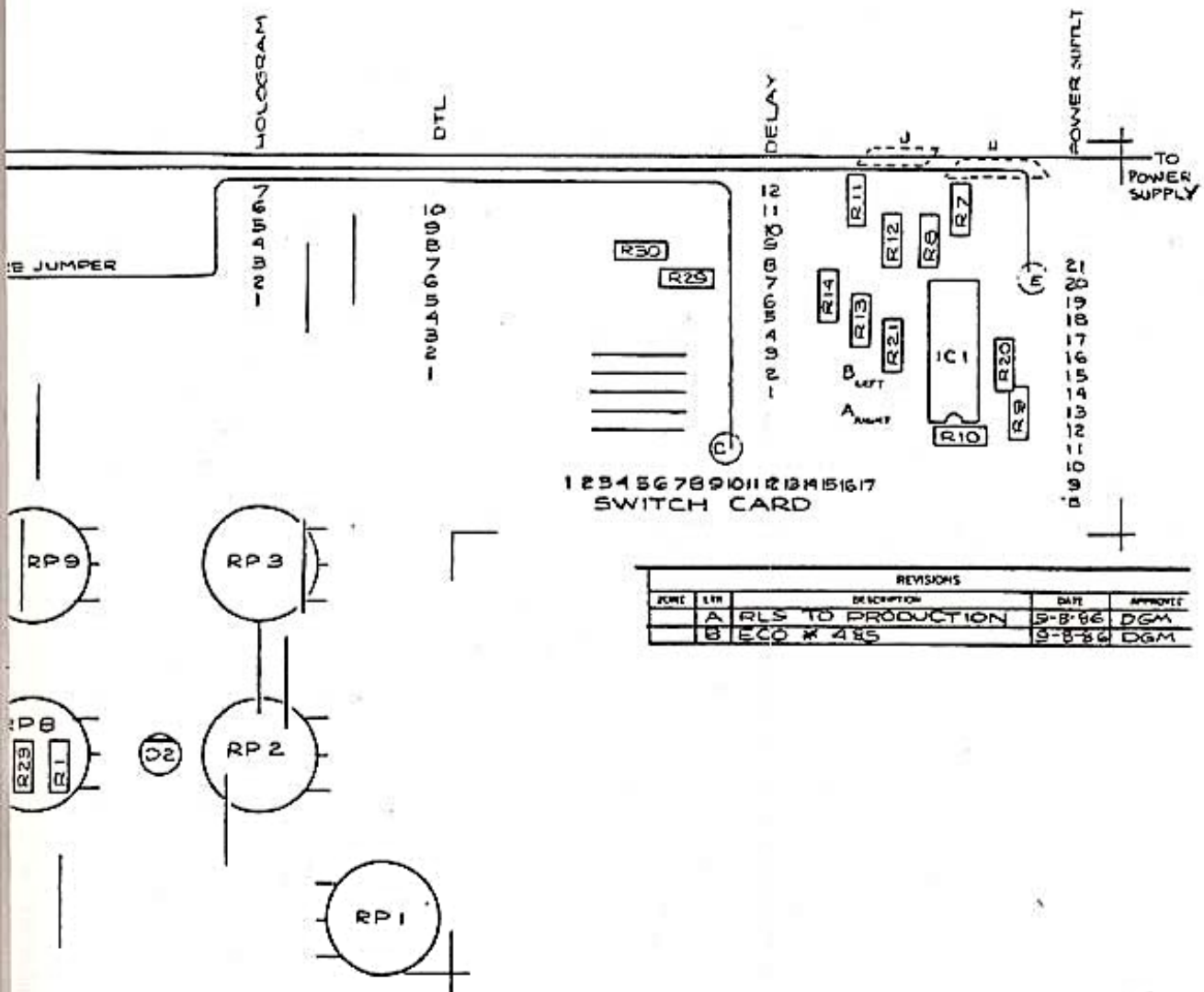


CARVER

4000t - SCHEMATIC DIAGRAMS

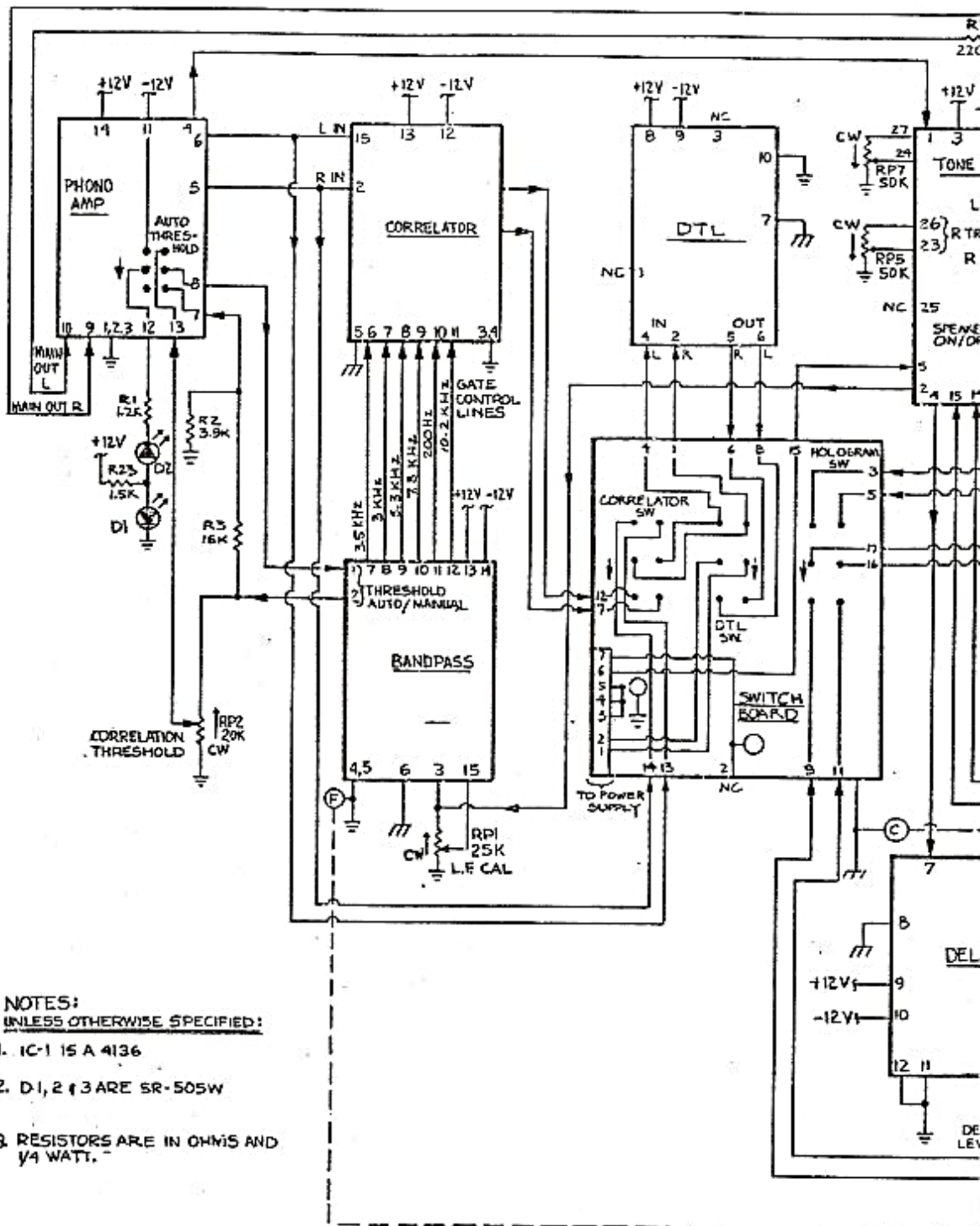




1 2 3 4 5 6 7 8 9 10 11 12 13 14 15 16 17
 SWITCH CARD

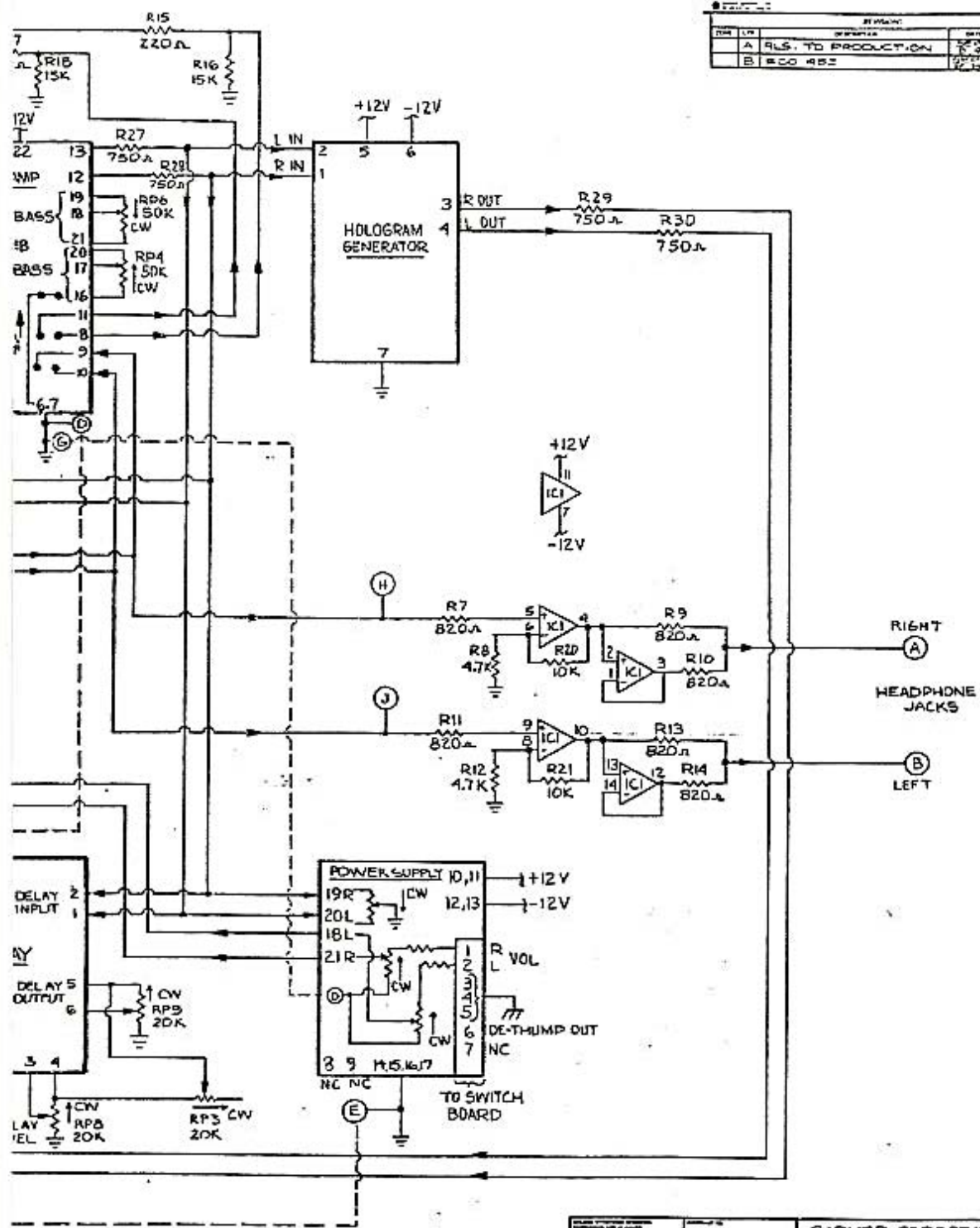
REVISIONS				
DATE	LET	DESCRIPTION	DATE	APPROVEE
9-8-86	A	RLS TO PRODUCTION	9-8-86	DGM
9-8-86	B	ECO # 485	9-8-86	DGM

CONTRACT NO		CARVER CORPORATION	
APPROVALS	DATE	4000L MOTHER BOARD A.I.	
RELEASED	NO. 2 8 1986	SIZ	CODE IDENT NO DRAWING NO REV B
			601-00334
SCALE 2:1		SHEET OF 1	



- NOTES:**
UNLESS OTHERWISE SPECIFIED:
1. IC-1 IS A 4136
 2. D1, 2 & 3 ARE SR-505W
 3. RESISTORS ARE IN OHMS AND 1/4 WATT.

REV	DATE	DESCRIPTION	BY	APPROVED
A		RLS. TO PRODUCTION		D&M
B		ECO #52		D&M



CARVER CORPORATION 4000T SCHEMATIC MOTHERBOARD	
REV. NO. D PART NO. 605-00334-001B (PART 1 OF 1)	DATE BY CHECKED APPROVED

3

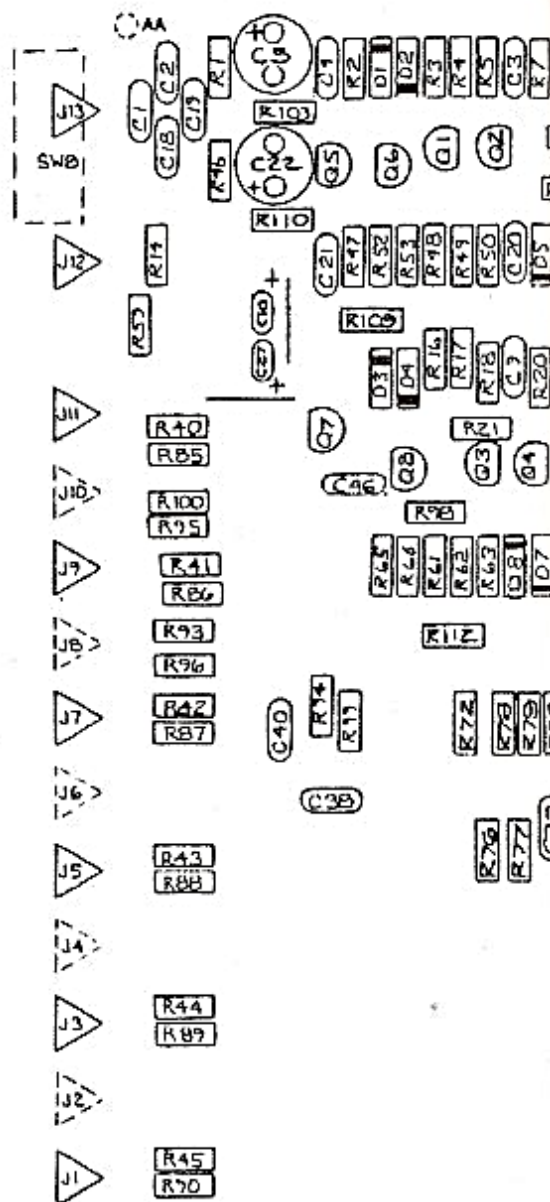
REVISIONS				
ZONE	LTR	DESCRIPTION	DATE	APPROVED
	A	RLS TO PRODUCTION	9-8-86	DGM
	B	ECO 488, 491, 498, 503	9-8-86	DGM

INTERCONNECTS -

- 1 } GROUND
- 2 }
- 3 }
- 4 L+R OUT - TO SUM
- 5 R OUT - TO CORRELATOR
- 6 L OUT - TO CORRELATOR
- 7 L PUSH - SW 1
- 8 L CENTER - SW 1
- 9 MAIN OUT R
- 10 MAIN OUT L
- 11 -12 V
- 12 R CENTER - SW 1
- 13 L RELEASED - SW 1

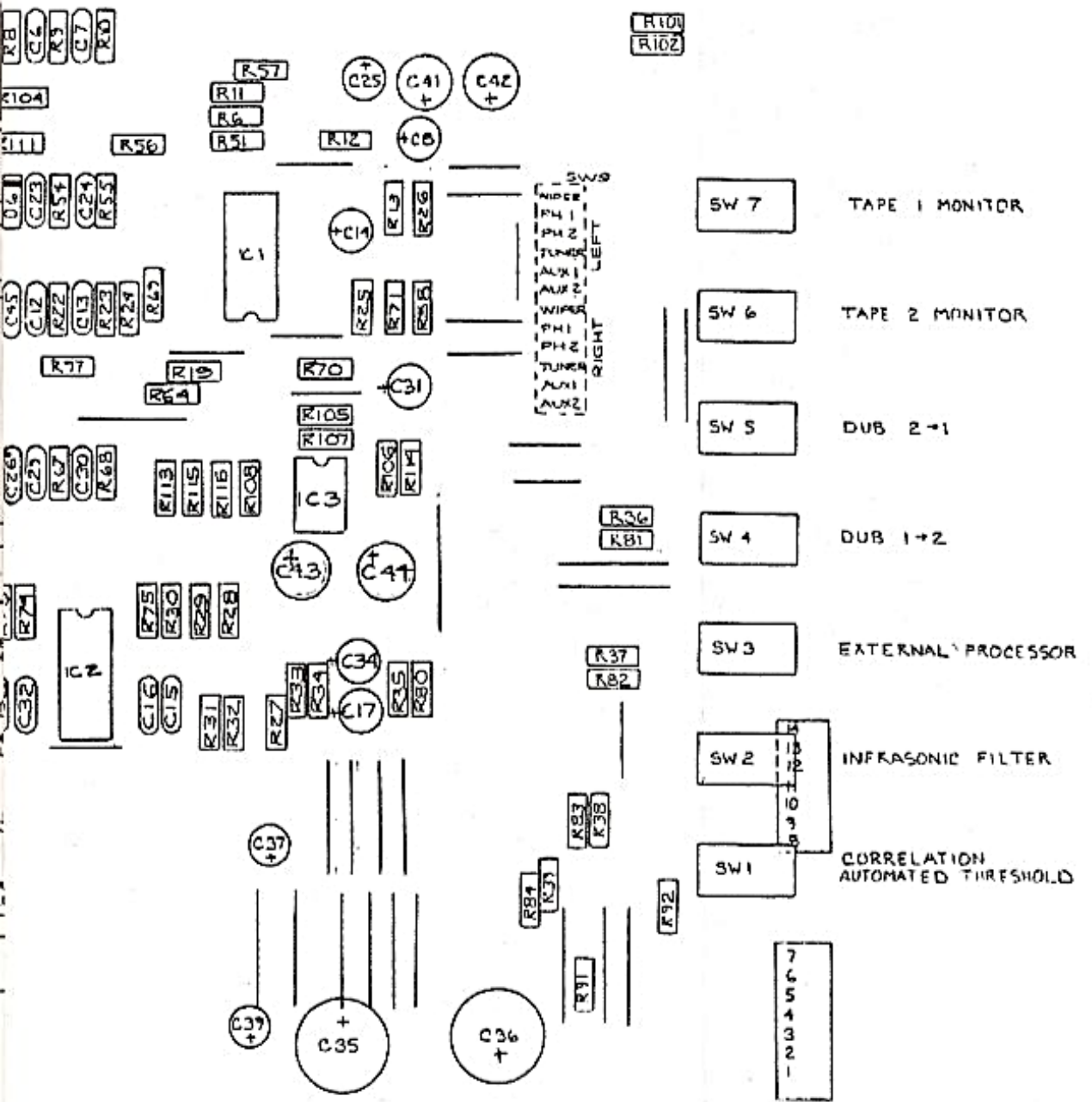
JACKS

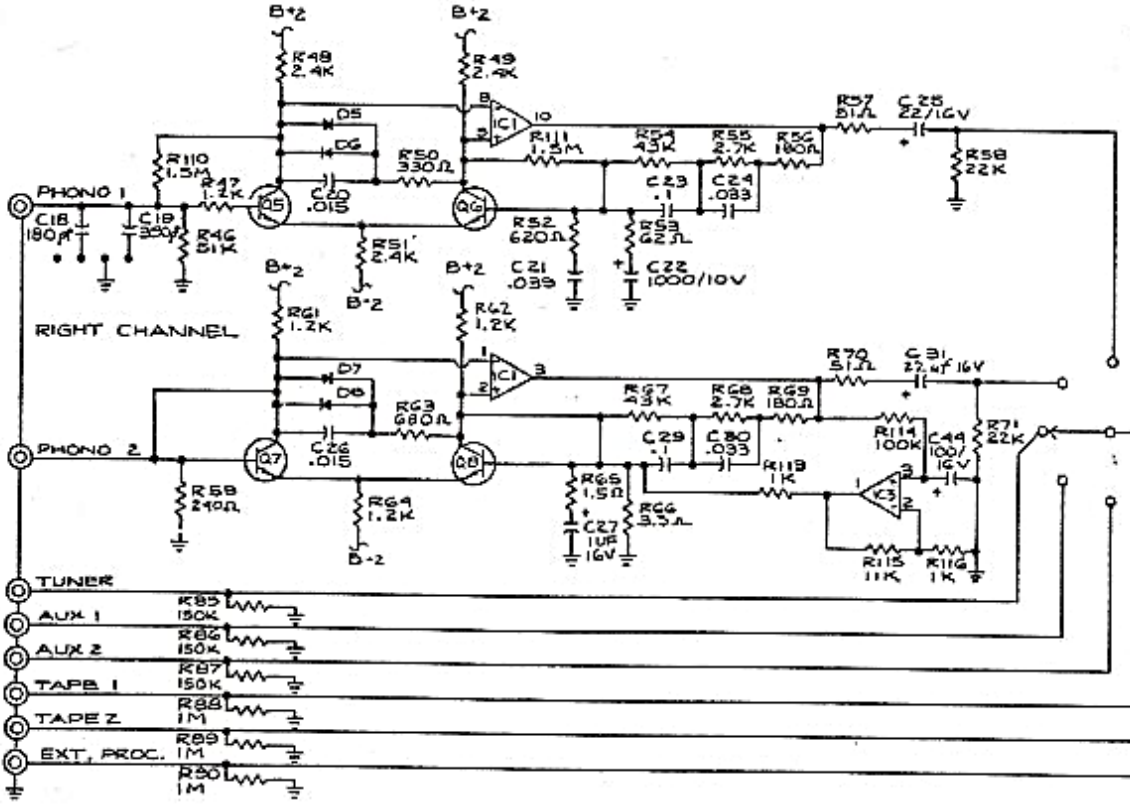
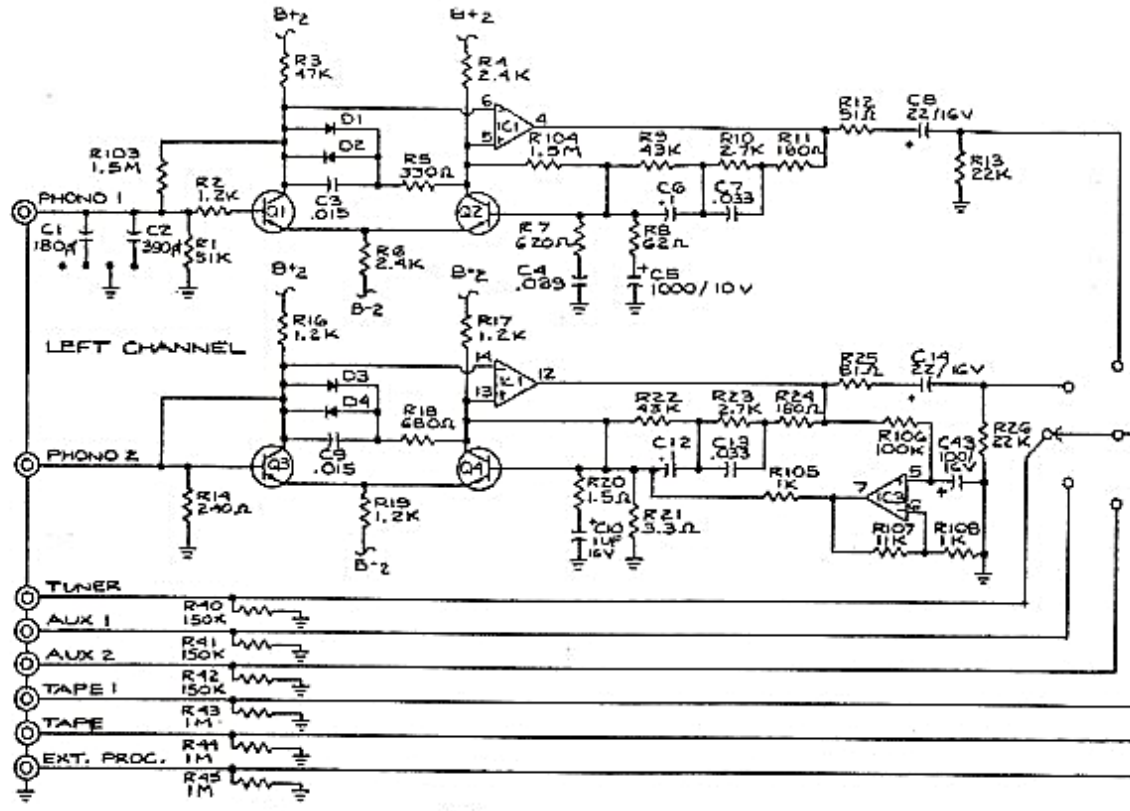
- J1 EXT PROCESSOR - IN
- J2 EXT PROCESSOR - OUT
- J3 TAPE 2 - IN
- J4 TAPE 2 - OUT
- J5 TAPE 1 - IN
- J6 TAPE 1 - OUT
- J7 AUX 2
- J8 MAIN OUT 2
- J9 AUX 1
- J10 MAIN OUT 1
- J11 TUNER
- J12 PHONO 2
- J13 PHONO 1



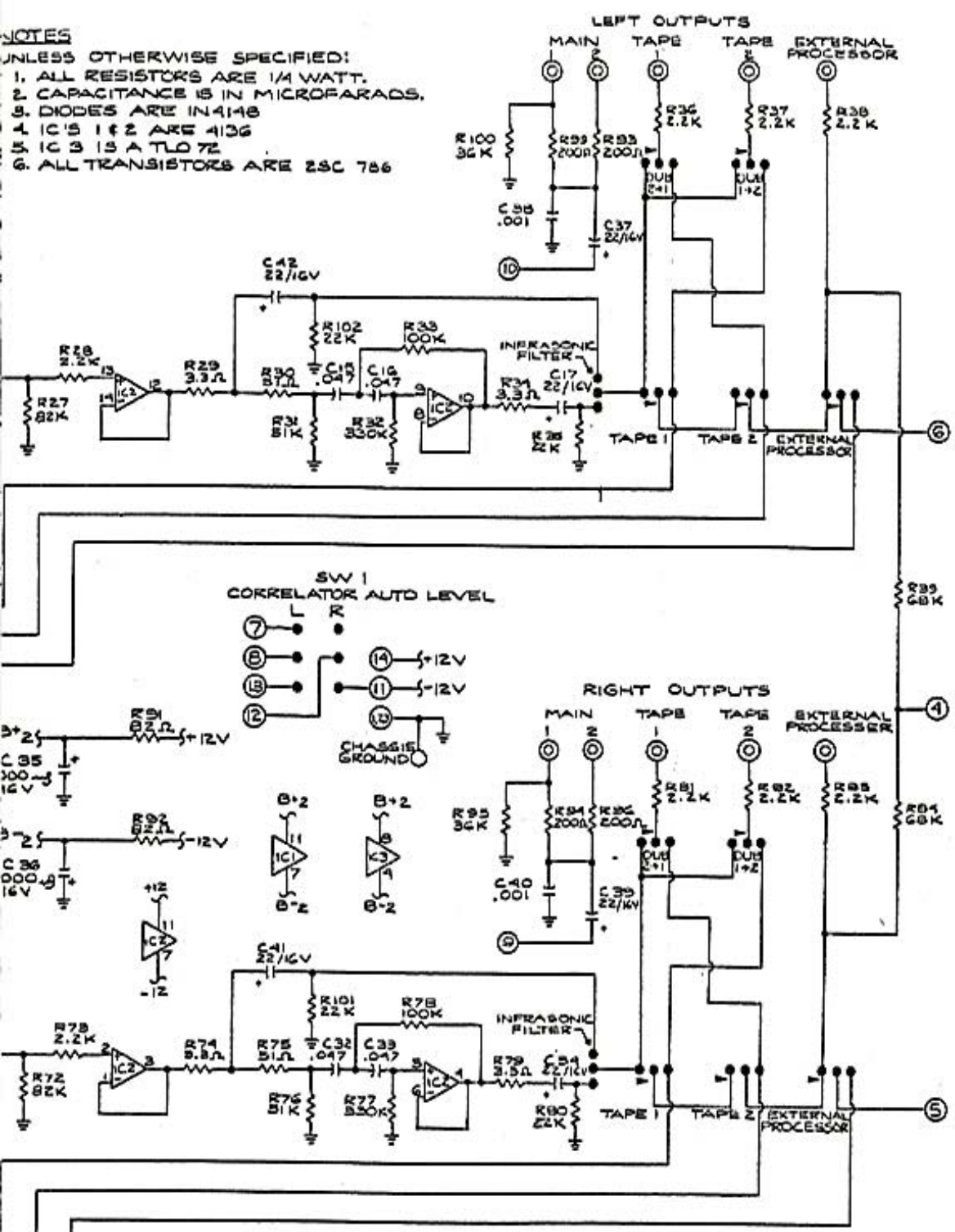
W

COMPLETED BY		DATE		CARVER CORPORATION	
APPROVALS		DATE		4000t PHONO AMP	
DRAWN		DATE		A.I.	
RELEASED		13-7-85		REV E	
SIZE		FORM IDENT NO		DRAWING NO	
				601-00326-00	
SCALE 2:1				SHEET 1 OF 1	





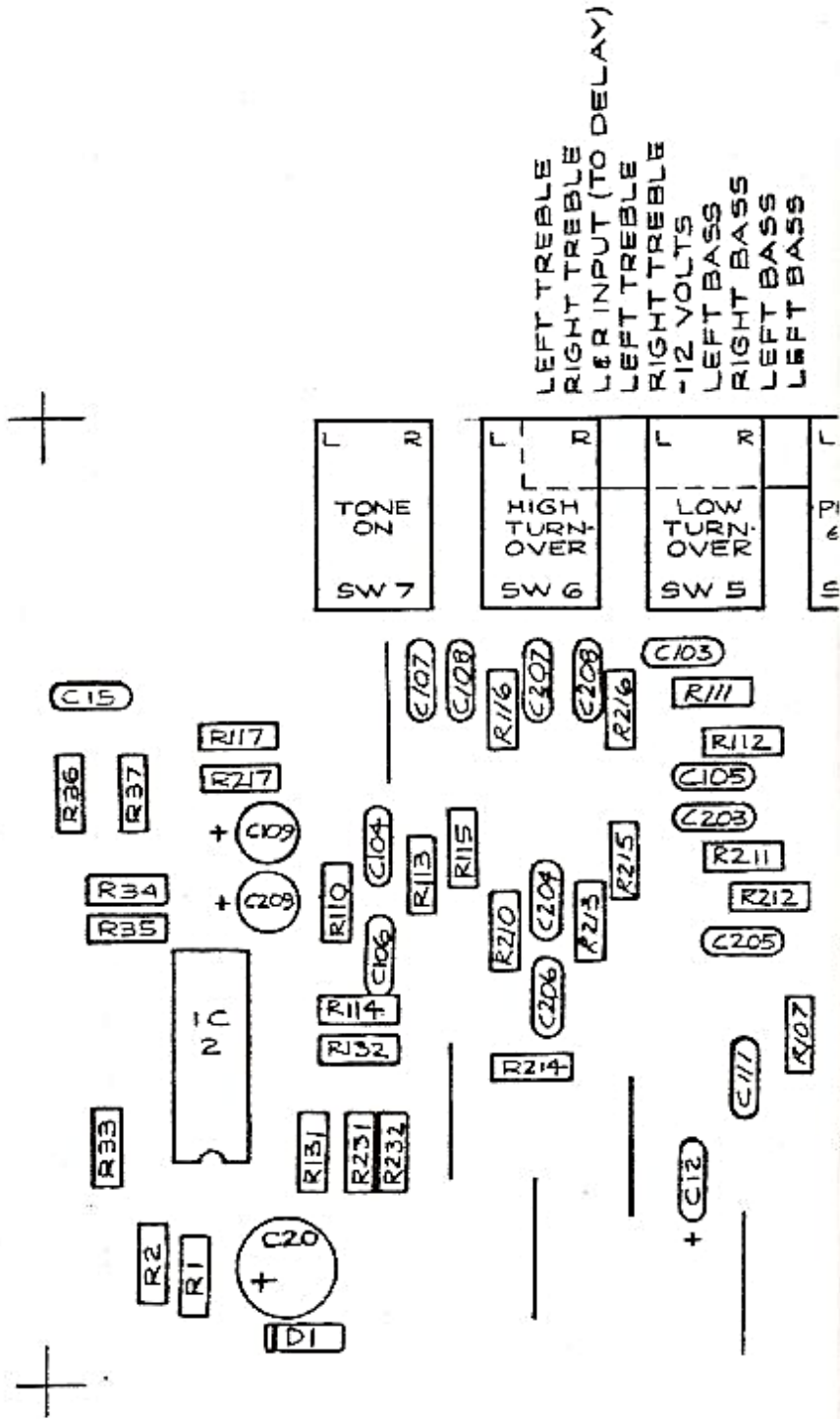
- NOTES**
 UNLESS OTHERWISE SPECIFIED:
 1. ALL RESISTORS ARE 1/4 WATT.
 2. CAPACITANCE IS IN MICROFARADS.
 3. DIODES ARE IN4148
 4. IC'S 1 & 2 ARE 4136
 5. IC 3 IS A TLD 72
 6. ALL TRANSISTORS ARE 2SC 786



DATE		BY		CHECKED		APPROVED		CARVER CORPORATION	
05	08	03	05	05	05	05	05	4000	PHONO AMP
REVISION		DESCRIPTION		DATE		BY		PART NO.	
A	1	REL. TO PRODUCTION	0-3-86	DGM				605-00325-00	1 OF 1

S

REVISIONS			
ZONE	LTR	DESCRIPTION	APPROVED
	A	RLS. TO PRODUCTION	DGM
	B	ECO 485, 491, 517	DGM



C15

R36 R37

R17 R27

+ C09

+ C08

R34 R35

20

R10 C104 C106 C107

R13 R231 R232

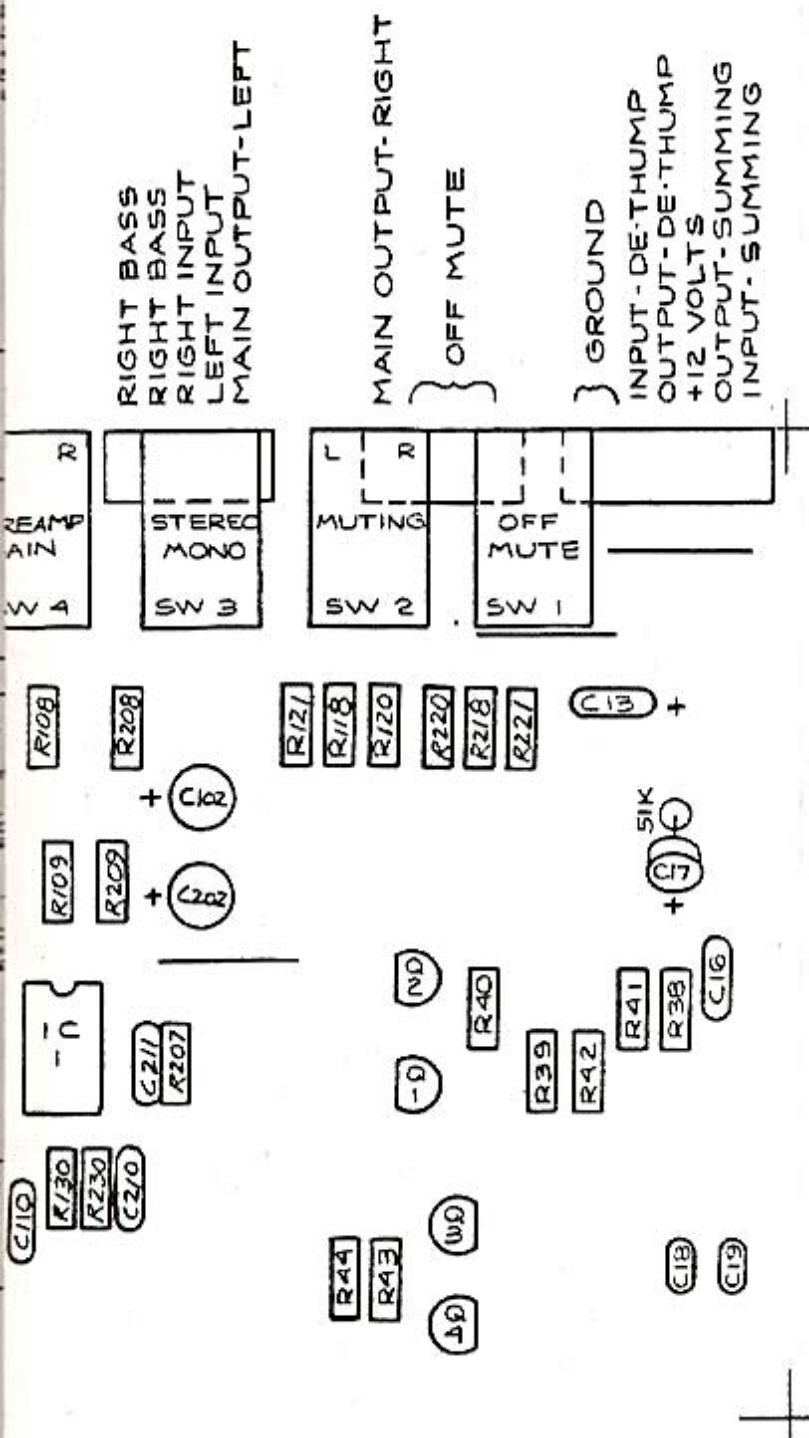
R2 R1 + C20

R116 C107 C208 R216 C103 R111 R112 C105 C203 R211 R212 C205 R214 C206 C204 R213 R215 R210 R214 C117 R107

SW 7 TONE

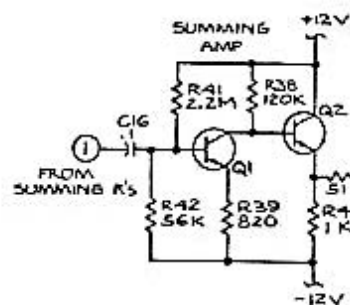
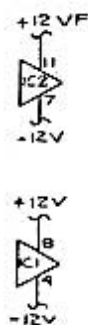
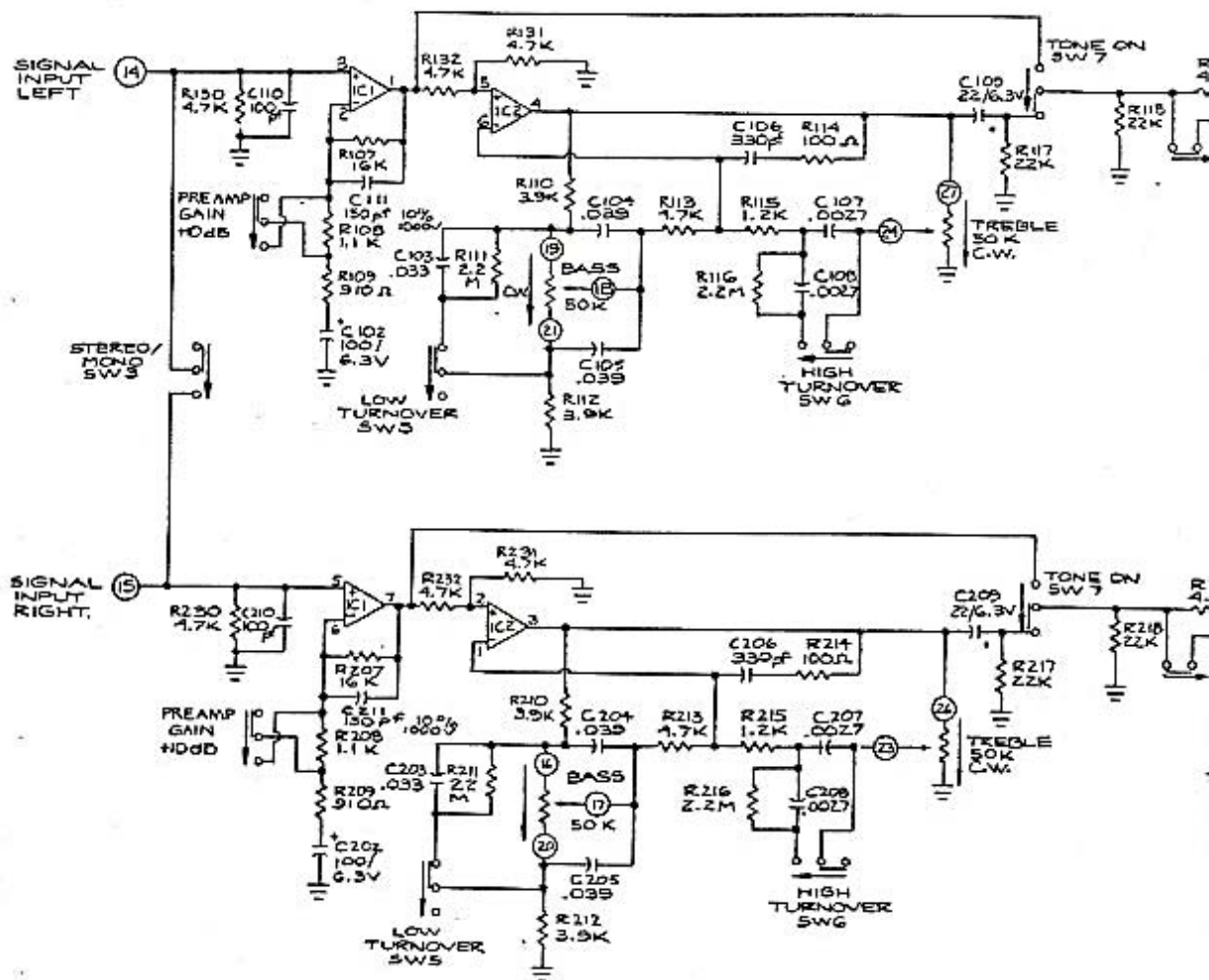
SW 6 HIGH OVERV. LOW OVERV.

SW 5

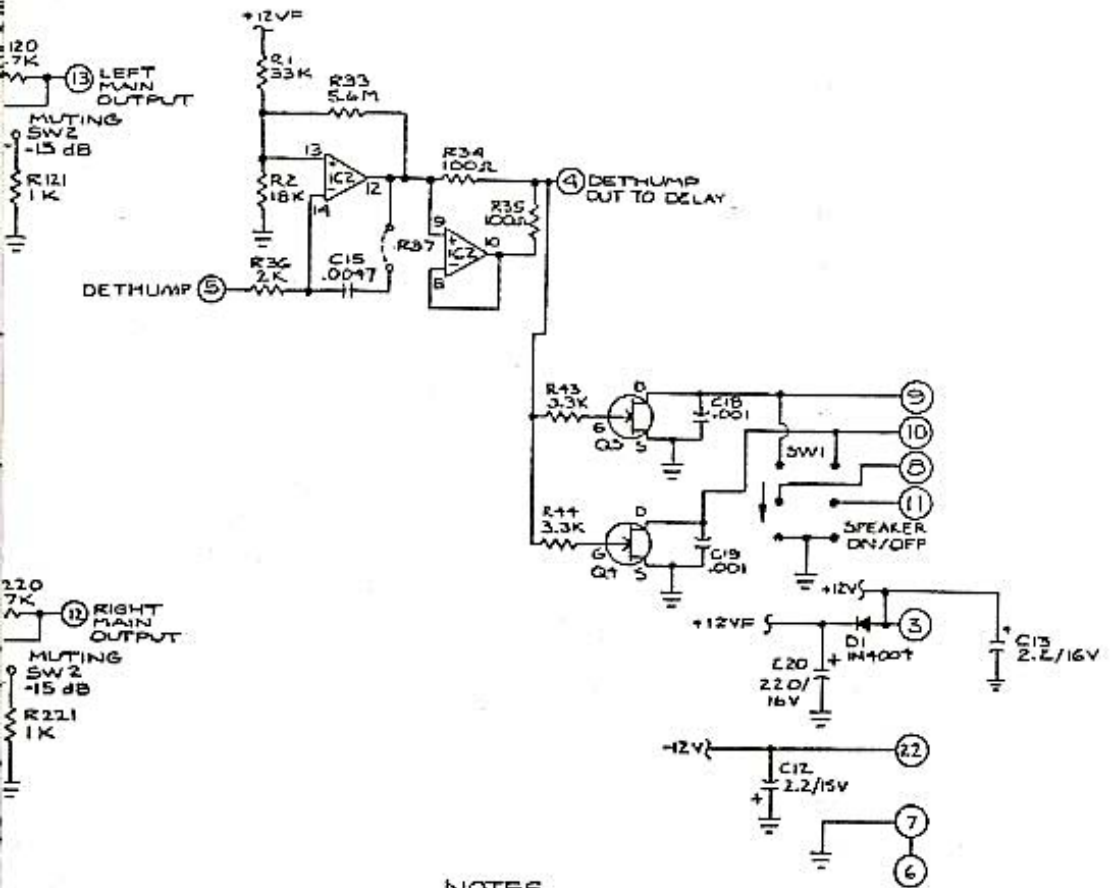


CONTRACT NO.		DATE	
APPROVALS		DATE	
DRAWN		DATE	
REVISIONS		DATE	
RELEASED		10-25-1985	
SIZE		CODE IDENT NO	
SCALE 2:1		DRAWING NO	
SHEET 1 OF 1		REV D	
CARVER CORPORATION		601-00327-00	
4000L TONE AMP		A. I.	

M



REV	DATE	BY	AMOUNT
A	RLS. TO PRODUCTION	2/2/85	DGM
B	SETF RLO 2463 491.517	5/2/85	DGM



NOTES

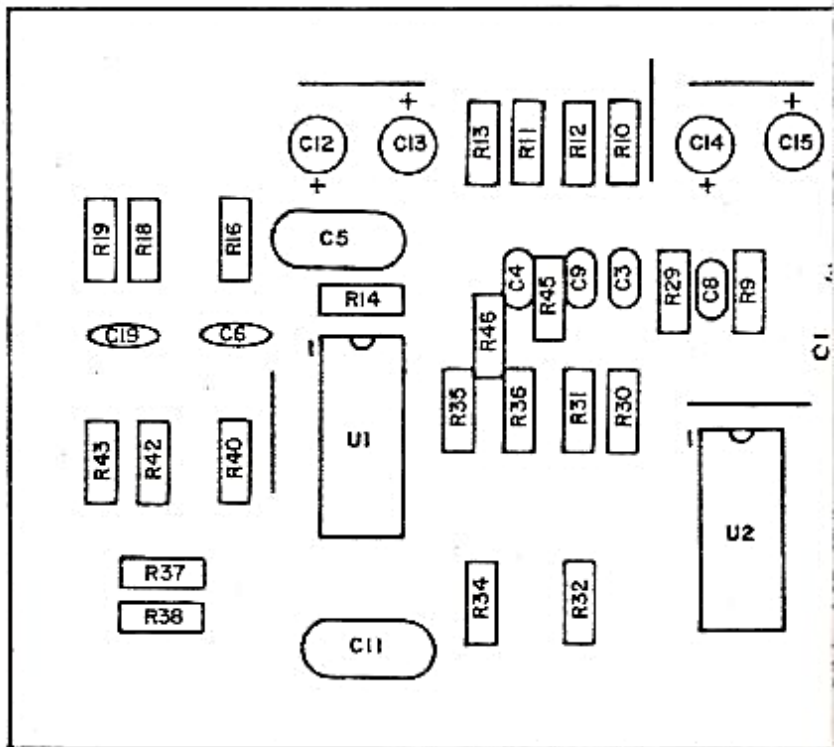
UNLESS OTHERWISE SPECIFIED:

1. ALL RESISTORS ARE 1/4 WATT.
2. CAPACITANCE IS IN MICROFARADS.
3. IC 1 IS A TL072.
4. IC 2 IS A 4136.
5. Q1 & Q2 ARE MPS 8097.

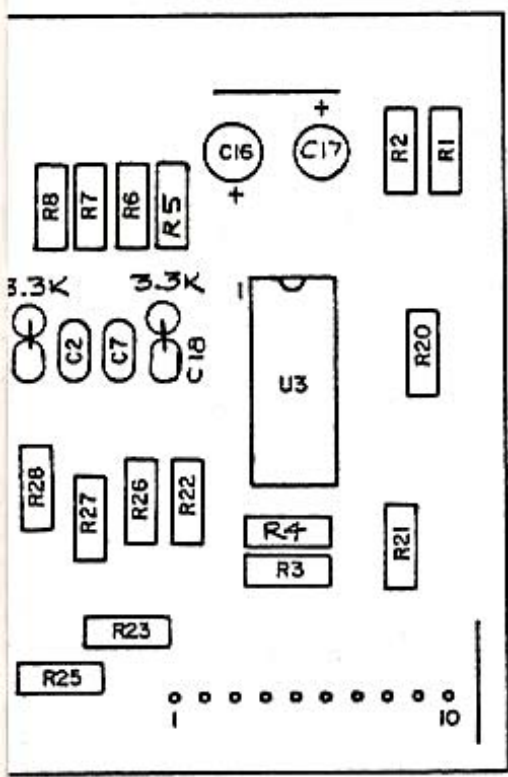
17
2/25V
4H (2) L & R
OUTPUT
TO BANDPASS

CARVER CORPORATION 4000 E TONE AMP SCH.	
DGM 1-8-85 RALPH ANDERSON	605-00327-00 D SHEET 1 OF 1

7

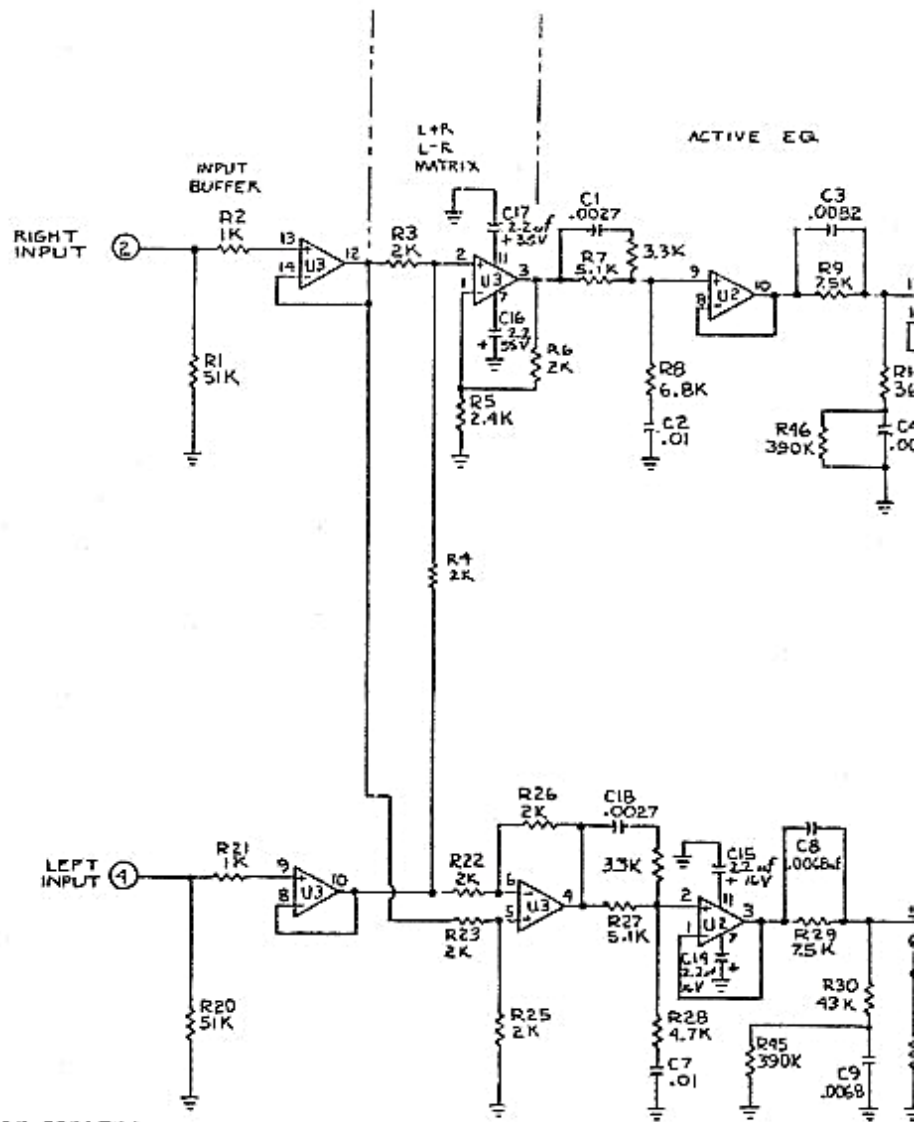


REVISIONS			
ZONE	LTR	DESCRIPTION	DATE
	A	RLS. TO PRODUCTION	5/28/56
	B,C	ECO 517, 542	5/28/56



CONTRACT NO		CARVER CORPORATION	
APPROVALS	DATE	4000t DTL A.I.	
DRAWN			
CHECKED RELEASED	10-23 1955		
	SIZE	COOK IDENT NO	DRAWING NO 601-00328-00
			REV C
	SCALE 2:1		SHEET 1 of 1

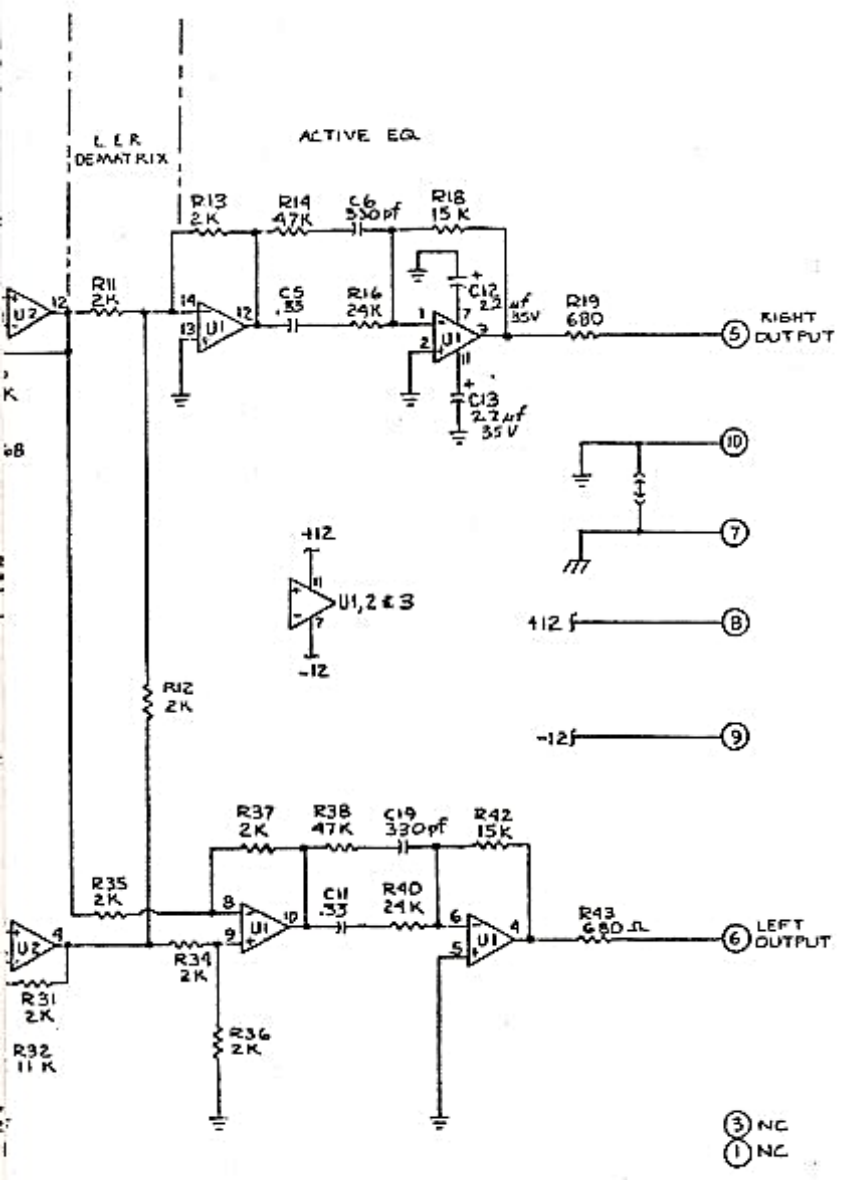
8



NOTES:
UNLESS OTHERWISE SPECIFIED

1. RESISTANCE VALUES ARE IN OHMS, 1/4 WATTS
2. CAPACITANCE VALUES ARE IN MICROFARADS
3. U1, 2 & 3 ARE 4136

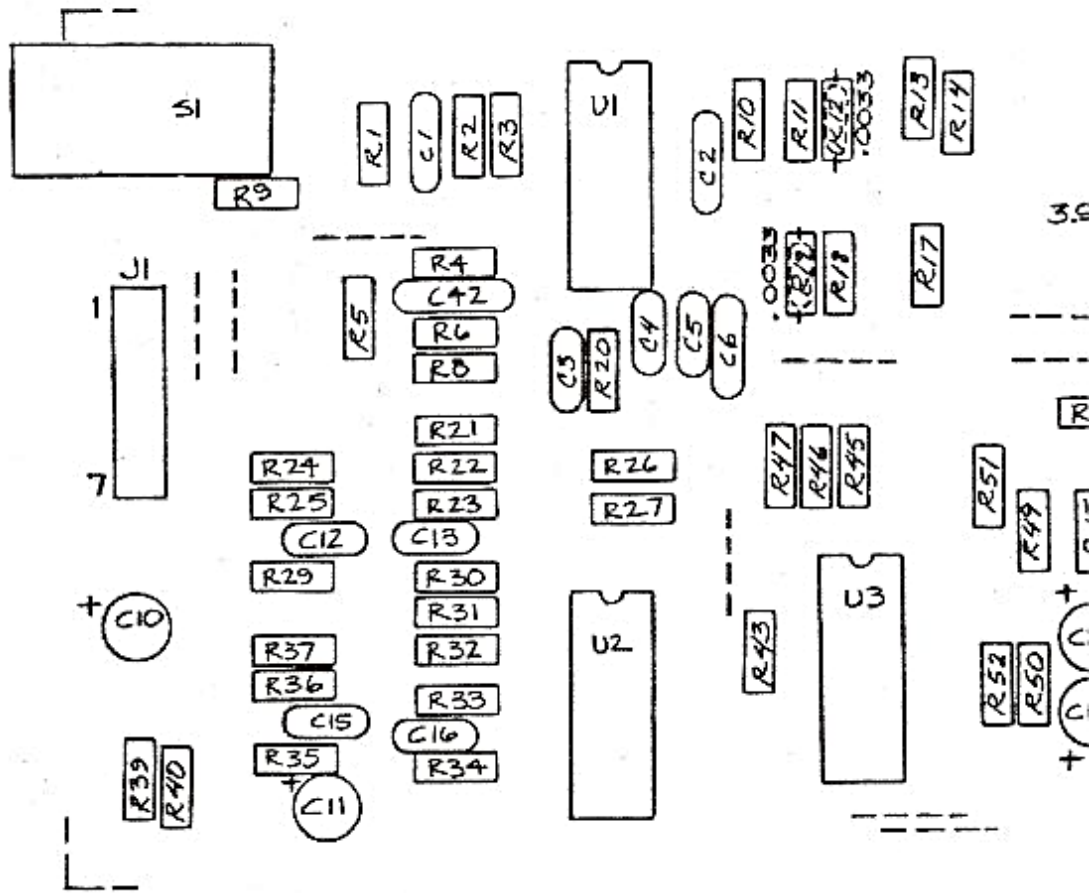
REV.	DESCRIPTION	DATE	BY
A	REV. TO PRODUCTION	7/25/62	DS
B	REV. EGO 37 542	12/21/62	DS



③ NC
① NC

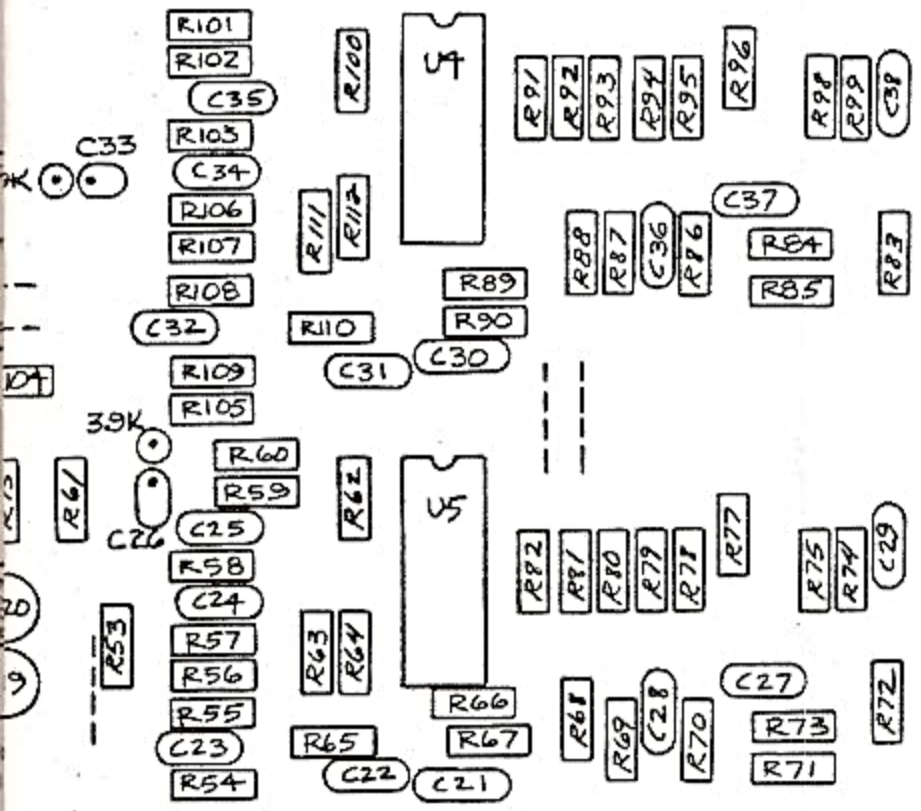
CARVER CORPORATION 4000C DTL SCHEMATIC	
DRAWN BY CHECKED BY DATE	DESIGNED BY DATE
PROJECT NO. 605-0052B-002	SHEET NO. 1 OF 1

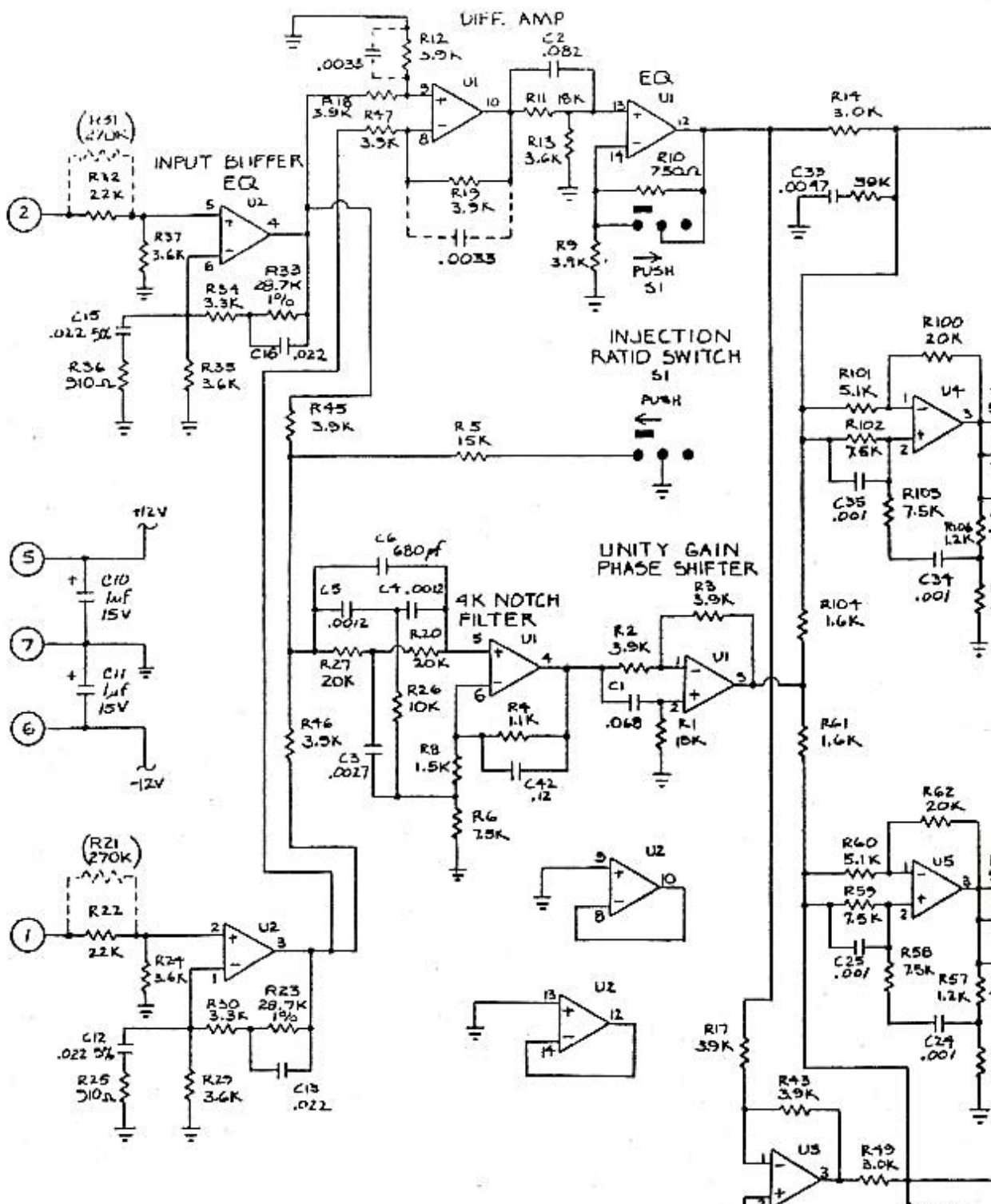
9



BRIDGE GRAPHICS, INC.
 PROJECT # 101-104-101

REVISIONS				
ZONE	LTR	DESCRIPTION	DATE	APPROVED
	A	RLS. TO PRODUCTION	10/18/86	DGM
	B,C	ECO 485 & 517	10/18/86	DGM

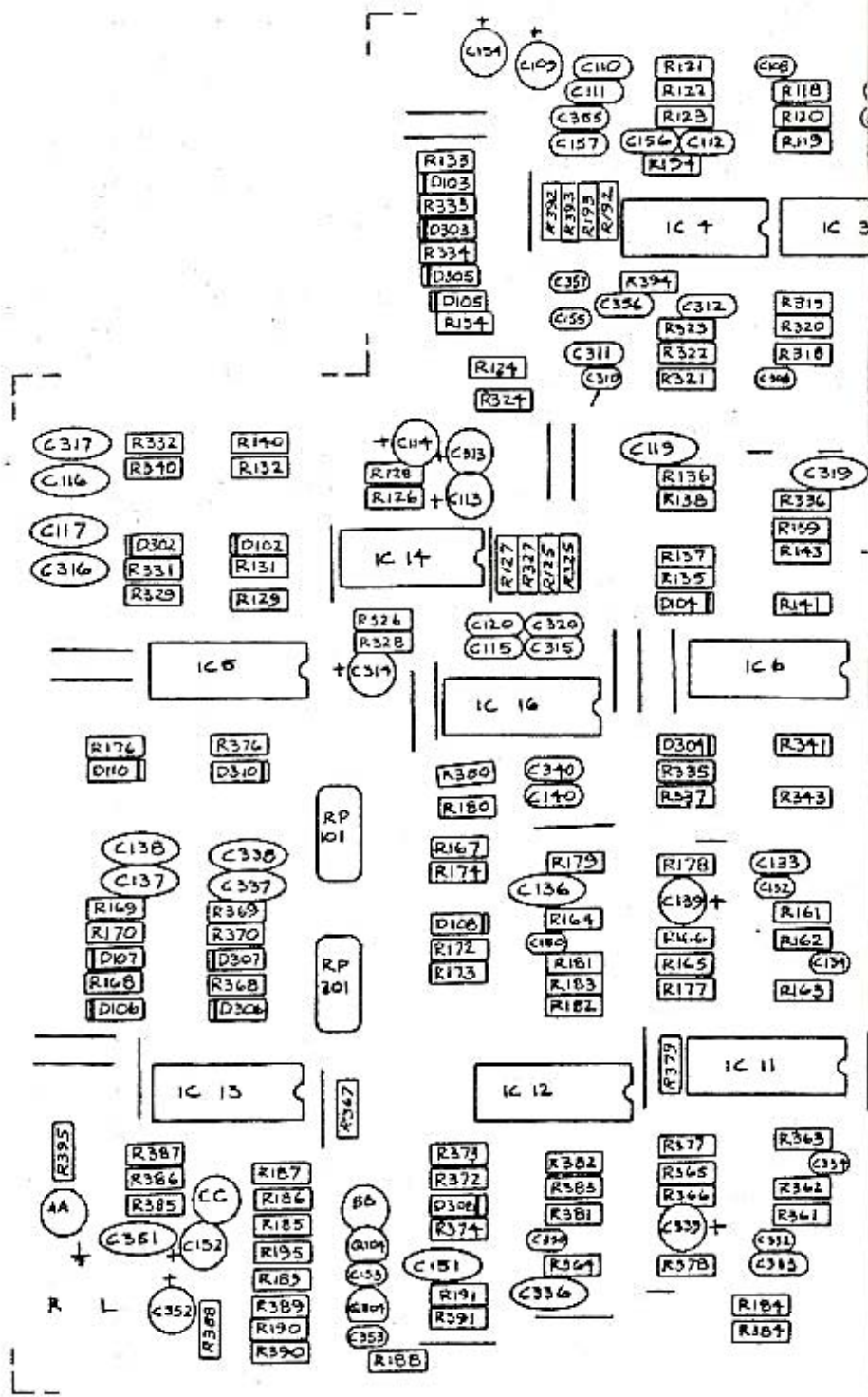




- NOTES: (UNLESS OTHERWISE SPECIFIED)
1. ALL RESISTORS ARE IN OHMS
 2. ALL CAPACITANCE IN MICROFARADS
 3. ALL RESISTORS 1/4 W 5%
 4. U1-U5 ARE 4136 OP AMPS
 5. C2, C12, C13, C15, C16, C21-25, C27-32 AND C34-38 ARE 5% CAPS

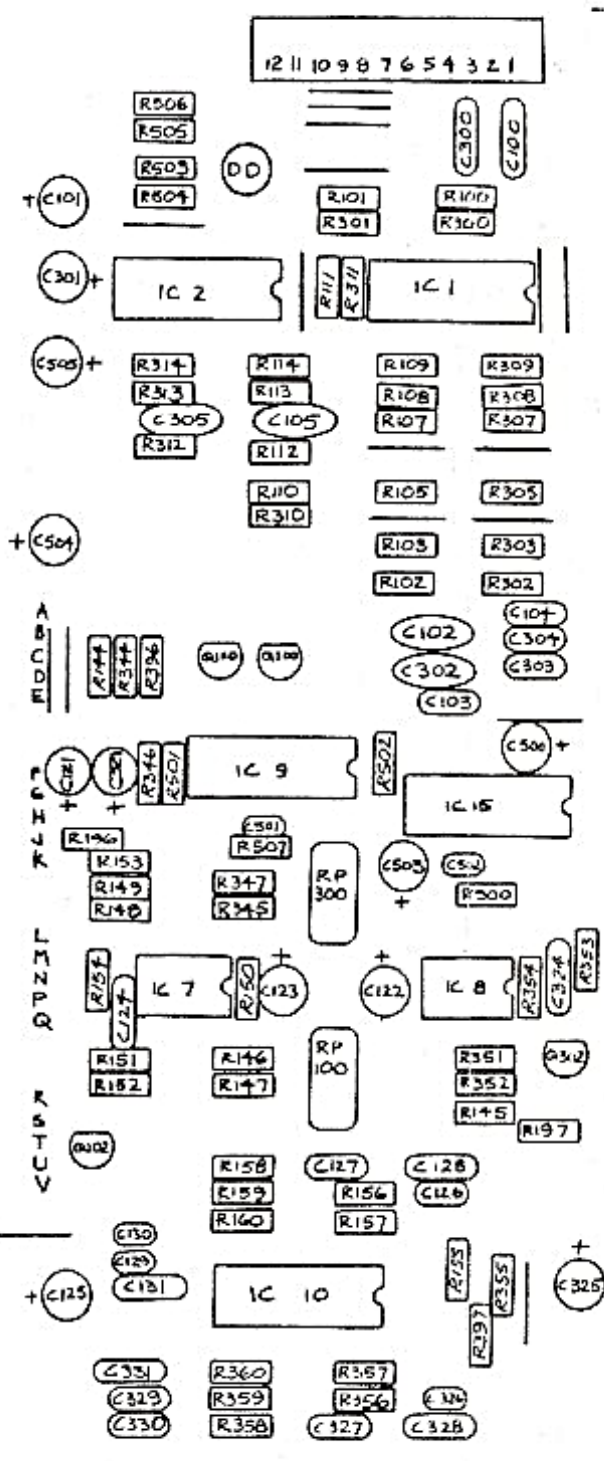


COMPONENT NO.	REV. C	DATE	BY
1-11	1-11	1-11	1-11
CARVER CORPORATION			
10006 TIME DELAY			
A-I.			
SIZE	CODE	QUANTITY	REV. C
2.1	601-00330-00	1	00
SCALE 2:1			SHEET 1 OF 1

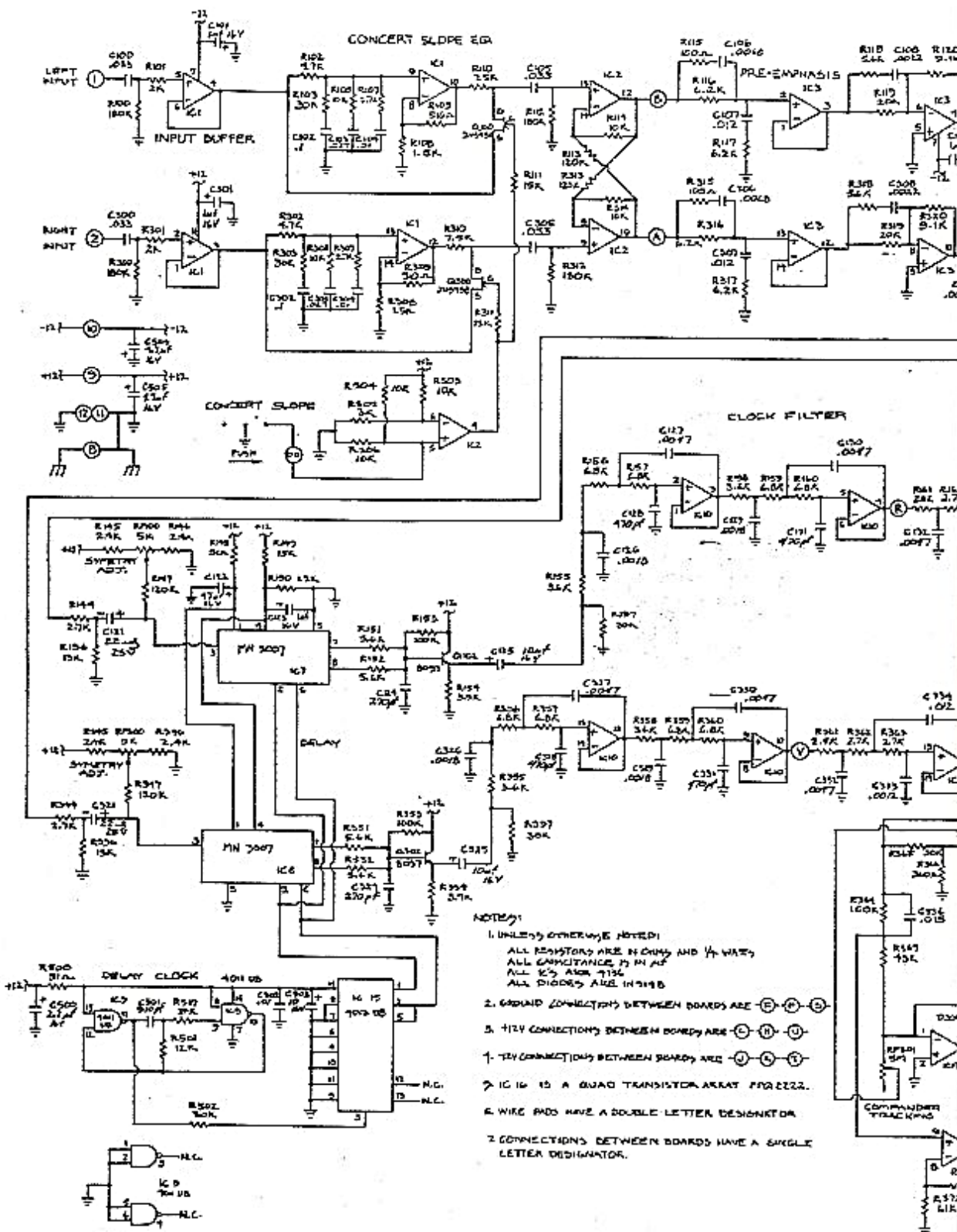


- R115
- R107
- R116
- R117
- R112
- R316
- C307
- R315

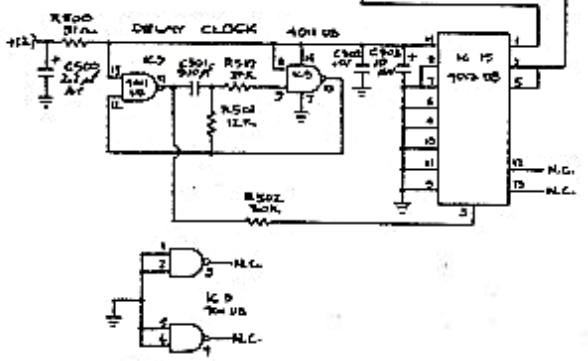
- A
- B
- C
- D
- E
- F
- G
- H
- J
- K
- L
- M
- N
- P
- Q
- R
- S
- T
- U
- V

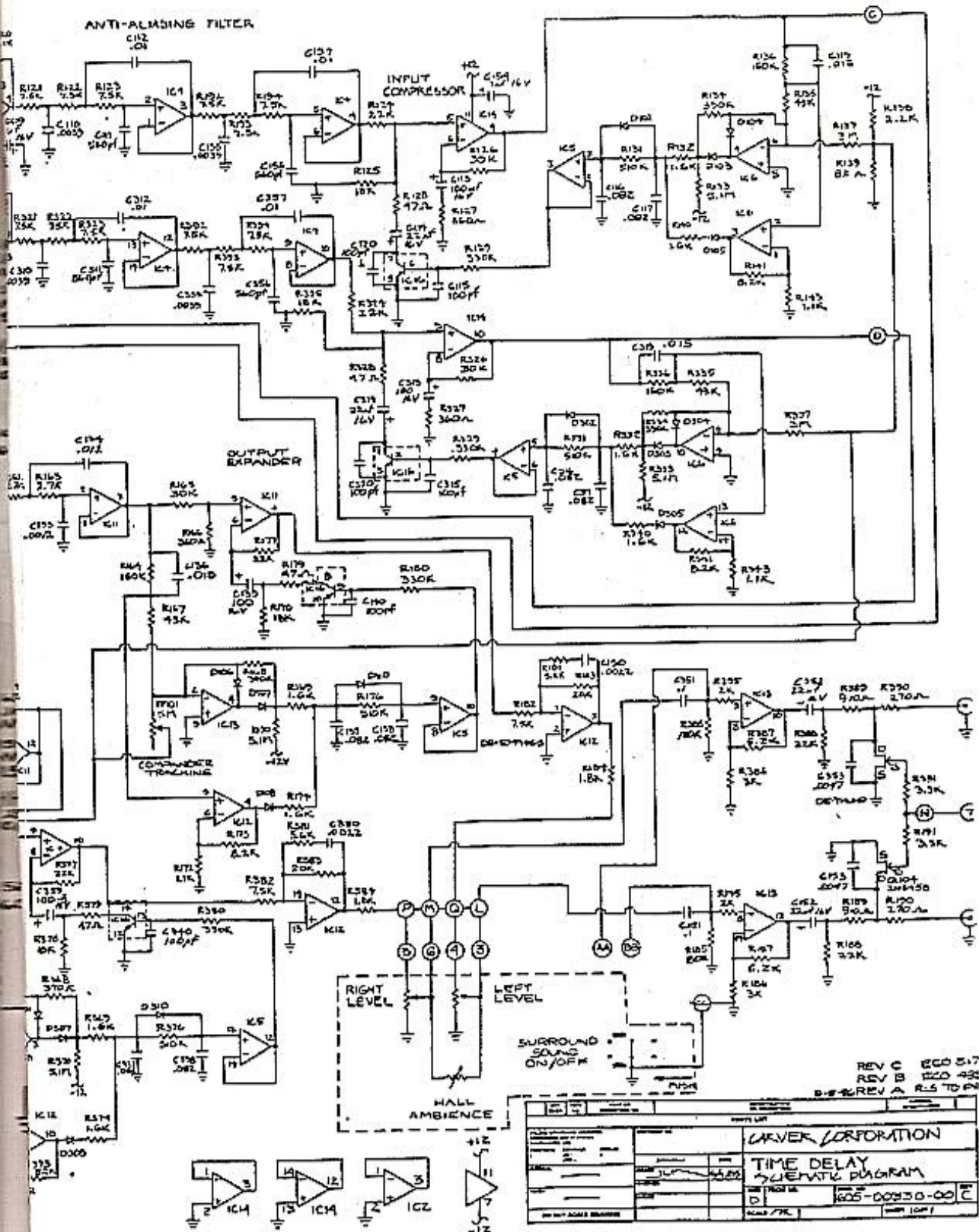


ZONE	LTR	DESCRIPTION	DATE	APPROVED
A		PLS. TO PRODUCTION	9-8-84	DSM
BC		ECO #185, 517	9-8-84	DSM



- NOTES:
- UNLESS OTHERWISE NOTED:
 ALL RESISTORS ARE 1/4 WATT AND 1% TOL.
 ALL CAPACITORS 20% TOL.
 ALL IC'S ARE 715C.
 ALL DIODES ARE 1N4148
 - GROUND CONNECTIONS BETWEEN BOARDS ARE (G)-(G)-(G)
 - +12V CONNECTIONS BETWEEN BOARDS ARE (+)-(+)-(+)
 - TRV CONNECTIONS BETWEEN BOARDS ARE (T)-(T)-(T)
 - IC 16 IS A QUAD TRANSISTOR ARRAY FOR 222.
 - WIRE PADS HAVE A DOUBLE LETTER DESIGNATOR
 - CONNECTIONS BETWEEN BOARDS HAVE A SINGLE LETTER DESIGNATOR.





REV C ECO 517
 REV B ECO 492
 B-2-REV A R-5 TO R-9

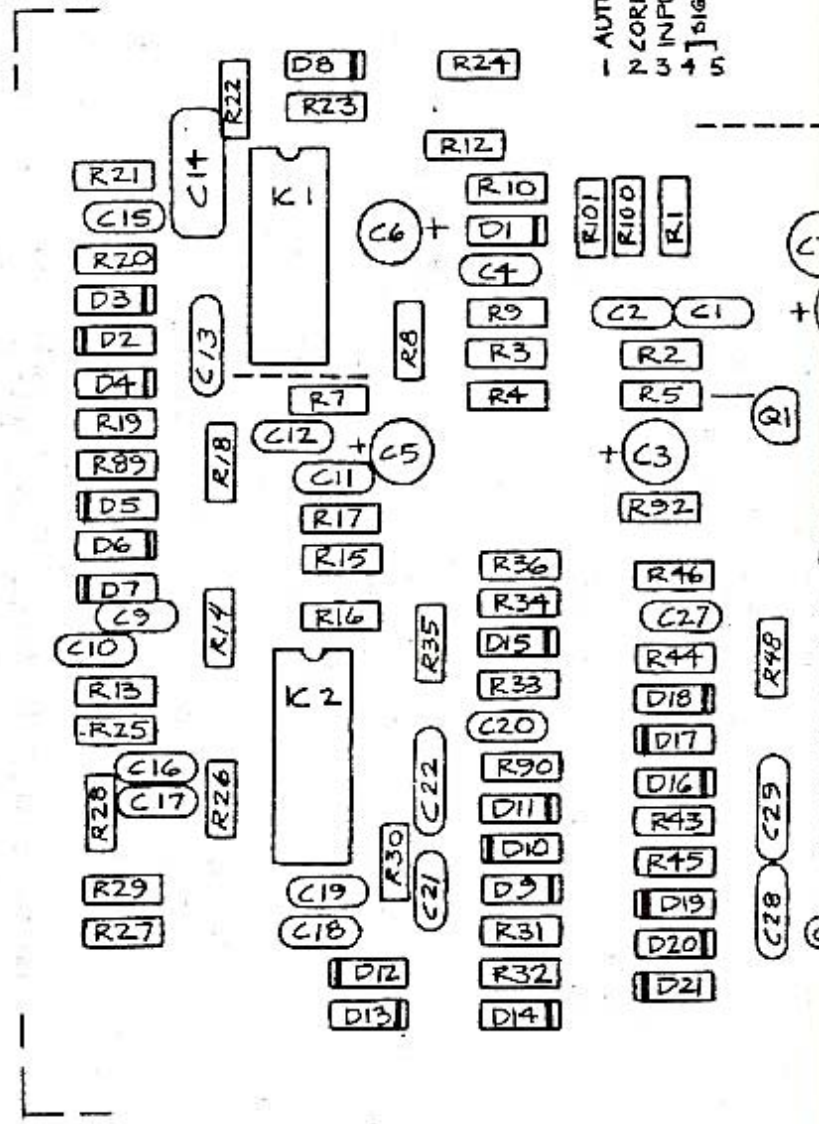
PARTS LIST		REVISIONS	
IC1	OP AMP	1	ECO 517
IC2	OP AMP	1	ECO 517
IC3	OP AMP	1	ECO 517
IC4	OP AMP	1	ECO 517
IC5	OP AMP	1	ECO 517
IC6	OP AMP	1	ECO 517
IC7	OP AMP	1	ECO 517
IC8	OP AMP	1	ECO 517
IC9	OP AMP	1	ECO 517
IC10	OP AMP	1	ECO 517
IC11	OP AMP	1	ECO 517
IC12	OP AMP	1	ECO 517
IC13	OP AMP	1	ECO 517
IC14	OP AMP	1	ECO 517
R1	RES	100	ECO 517
C1	CAP	100	ECO 517
D1	DIODE	100	ECO 517
SW1	SWITCH	1	ECO 517
SW2	SWITCH	1	ECO 517

VARVER CORPORATION

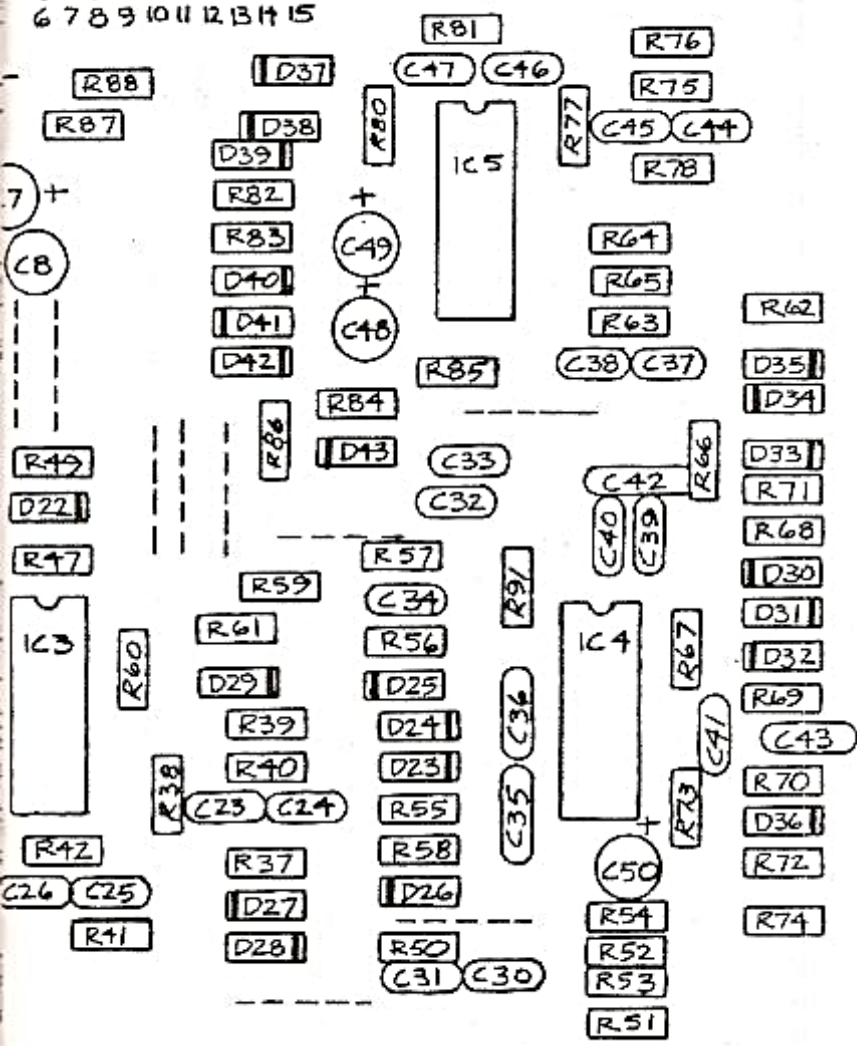
TIME DELAY SCHEMATIC PROGRAM

ECO 517

REVISIONS				
ZONE	LTR	DESCRIPTION	DATE	APPROVED
	A	RLS. TO PRODUCTION	9-8-86	DGM
	B	ECO # 491	9-8-86	DGM



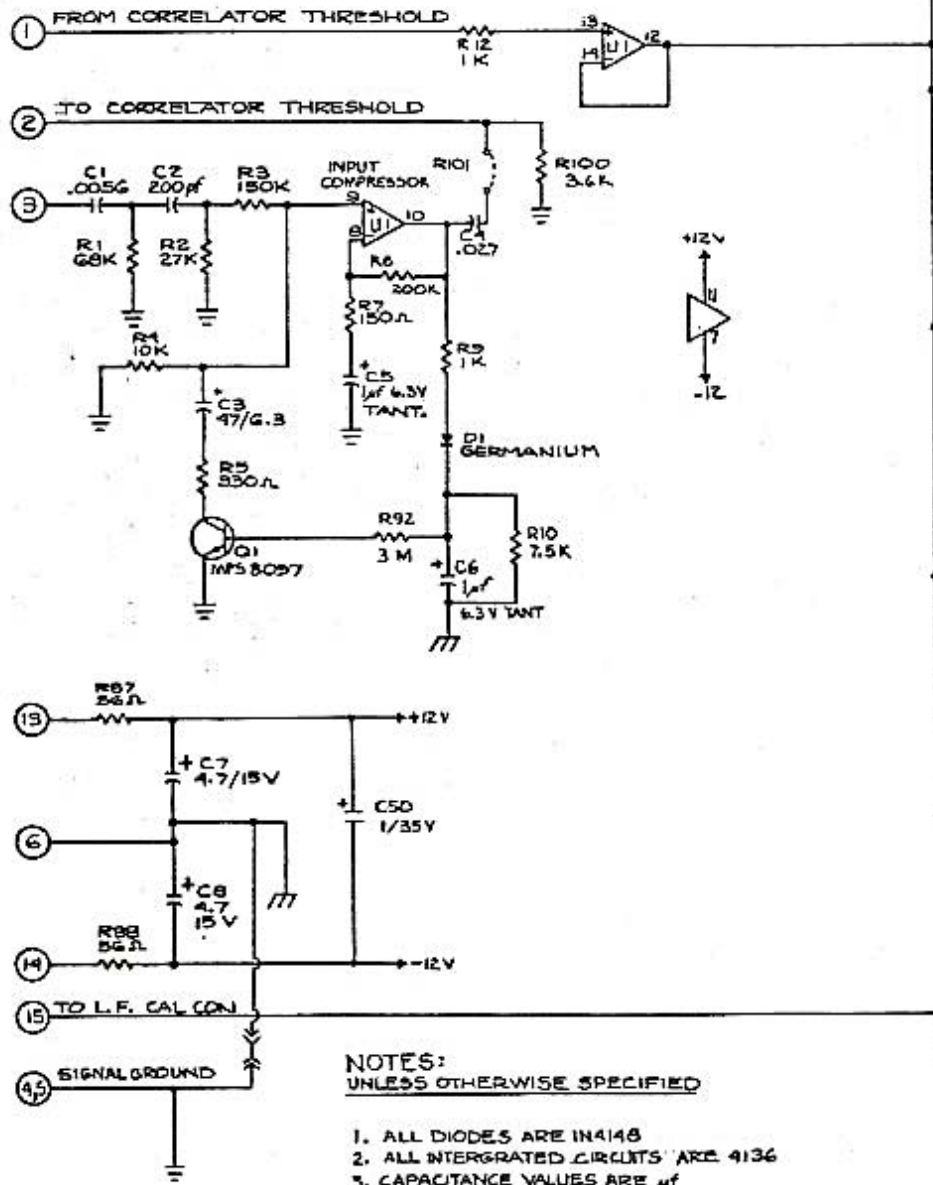
- 6 CONTROL-GND
- 7 3K
- 8 2K
- 9 5K
- 0 9K
- 1 200 HE
- 2 15K
- 3 +12V
- 4 -12V
- 5 LF CALWIPER



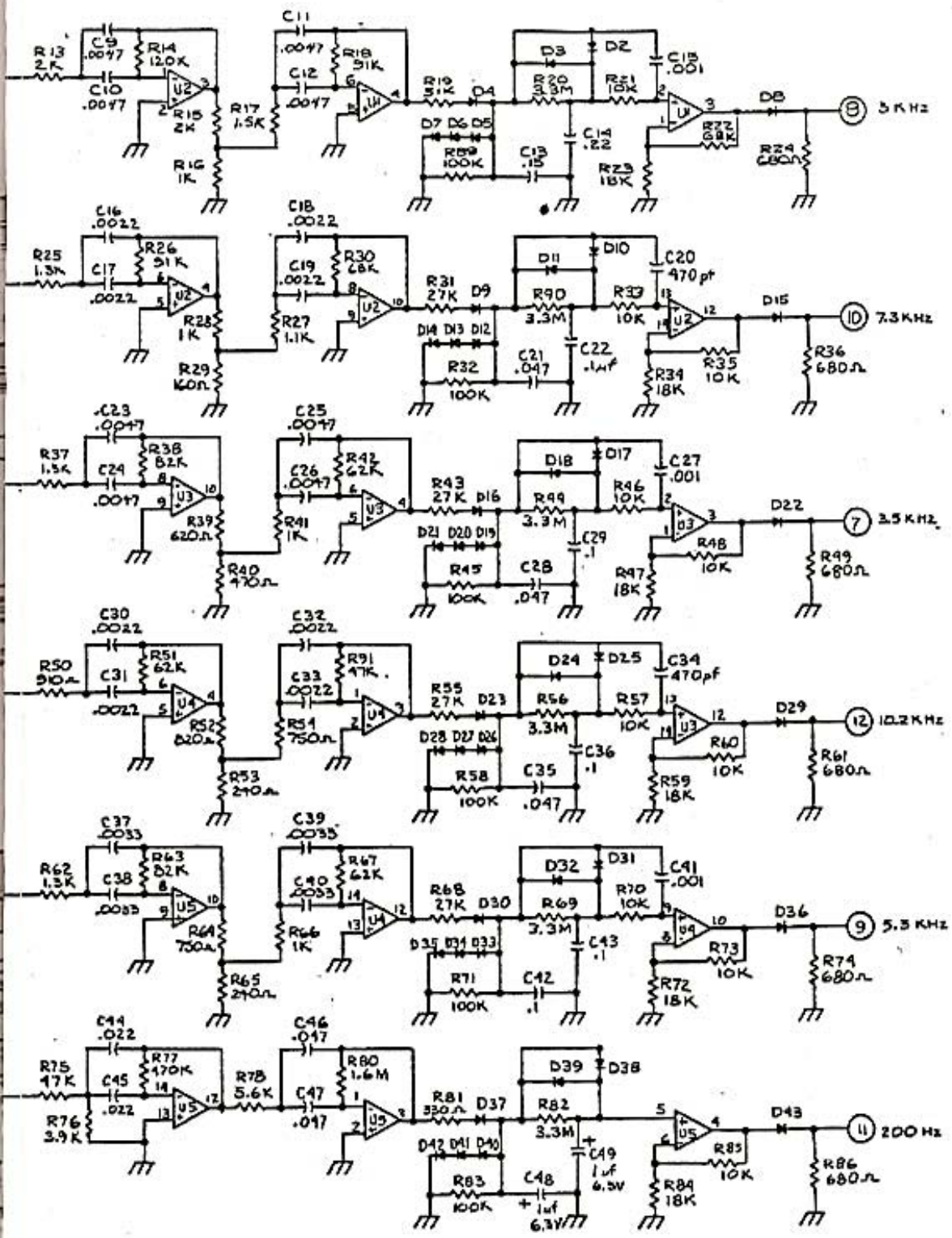
CONTRACT NO.		CARVER CORPORATION	
APPROVALS	DATE	4000t BANDPASS	
DRAWN J.L.M.	10-23	A.I.	
CHICAGO	RELEASED 1985	SIZE	CODE IDENT NO.
			601-00331-00
		REV B	
		SCALE 2' 1	SHEET 1 OF 1

14

REV	DESCRIPTION	DATE	APPROVED
A	RLS. TO PRODUCTION	SEPT 8 1960	DGM
B	SEE ECC 491	8 86	DGM



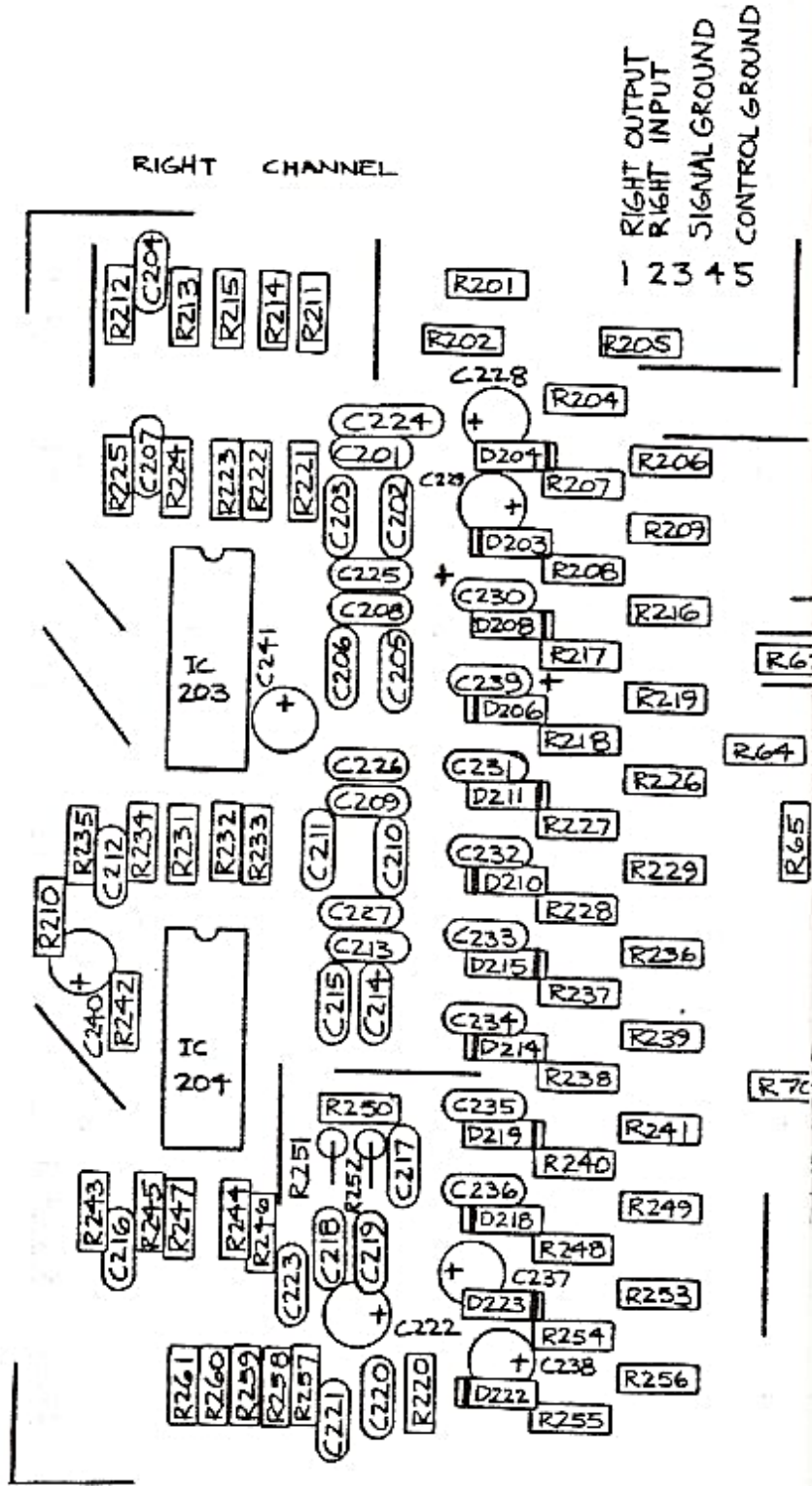
- NOTES:
UNLESS OTHERWISE SPECIFIED
1. ALL DIODES ARE IN4148
 2. ALL INTEGRATED CIRCUITS ARE 4136
 3. CAPACITANCE VALUES ARE μf



		CARVER CORPORATION	
4000t BANDPASS PCB SCH.		605-00331-0015	
D		1 OF 1	

15

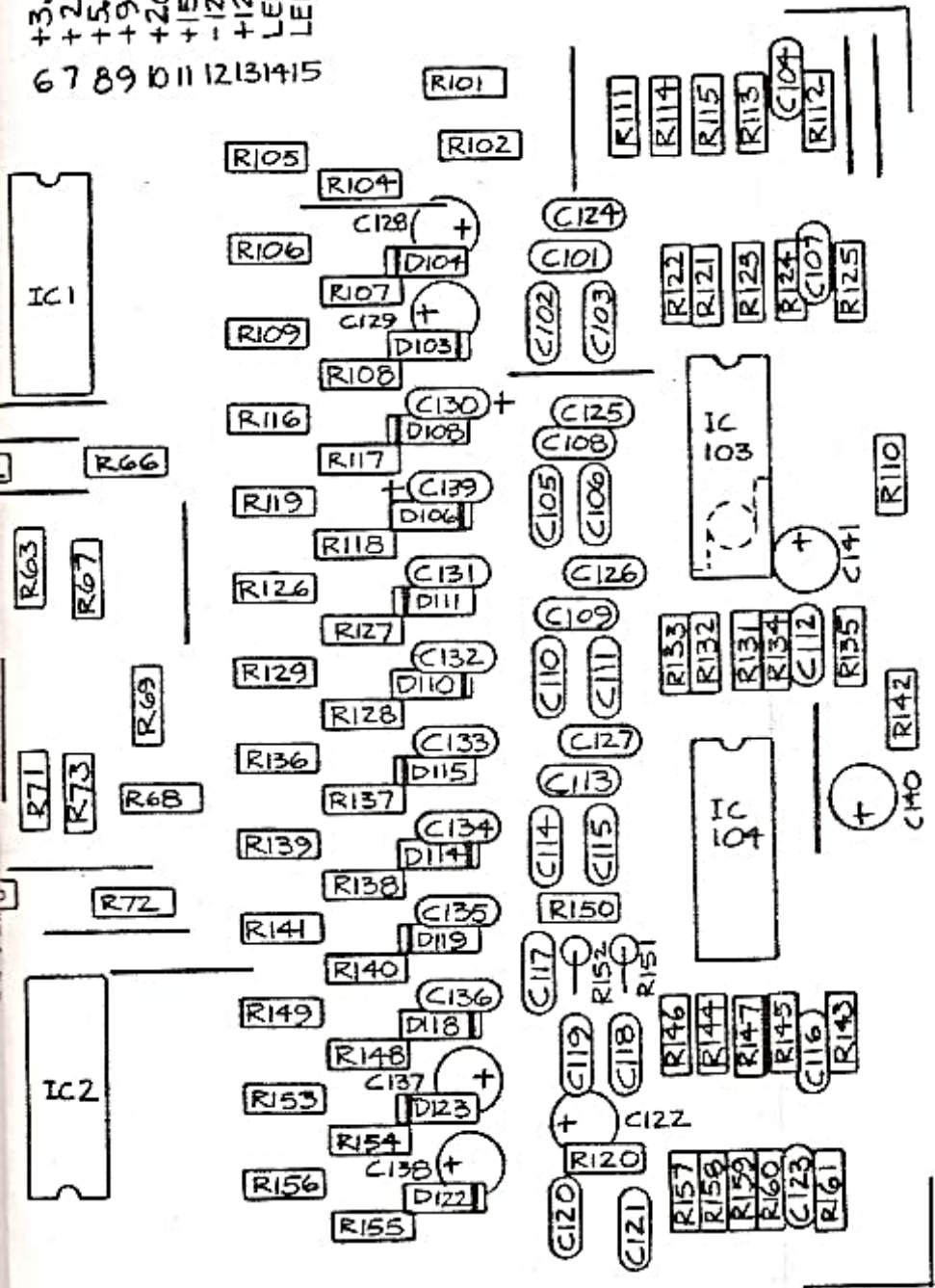
CONTRACT NO.		CARVER CORPORATION	
APPROVALS	DATE	4000t CORRELATOR	
DRAWN JLM	8-10-55	A.I.	
CHECKED	10-13-55	SIZE	CODE IDENT NO. DRAWING NO. REV A
RELEASED	1983		601-00332-00
		SCALE 2:1	SHEET 1 OF 1



+3.3
+2 KHZ
+5.4
+9
+200HZ
+15K
-12 VOLTS
+12 VOLTS
LEFT OUTPUT
LEFT INPUT

6 7 8 9 10 11 12 13 14 15

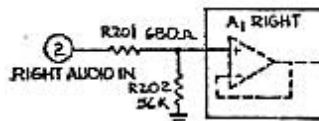
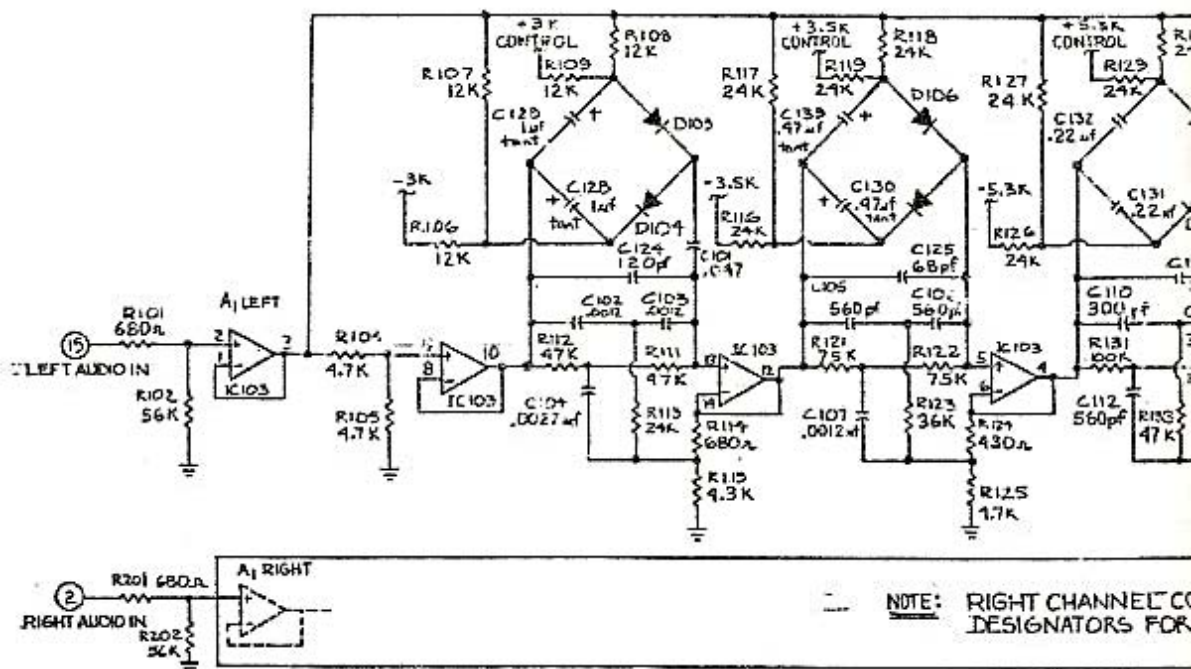
LEFT CHANNEL



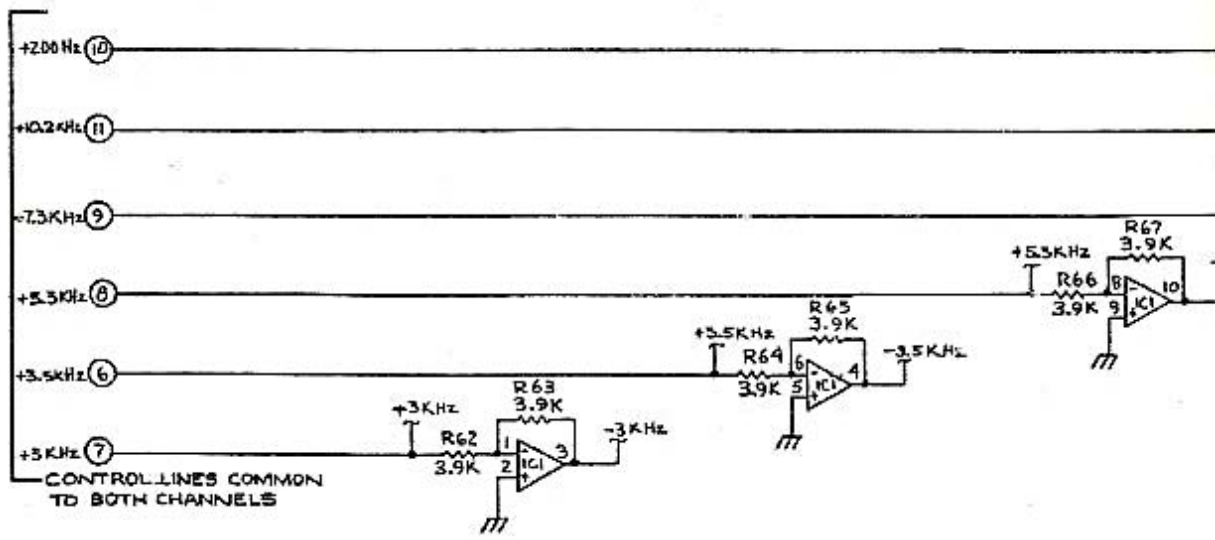
REVISED

ZONE	LTR	DESCRIPTION	DATE	APPROVED
A		RLS. TO PRODUCTION	SEPT 8, 86	DGM

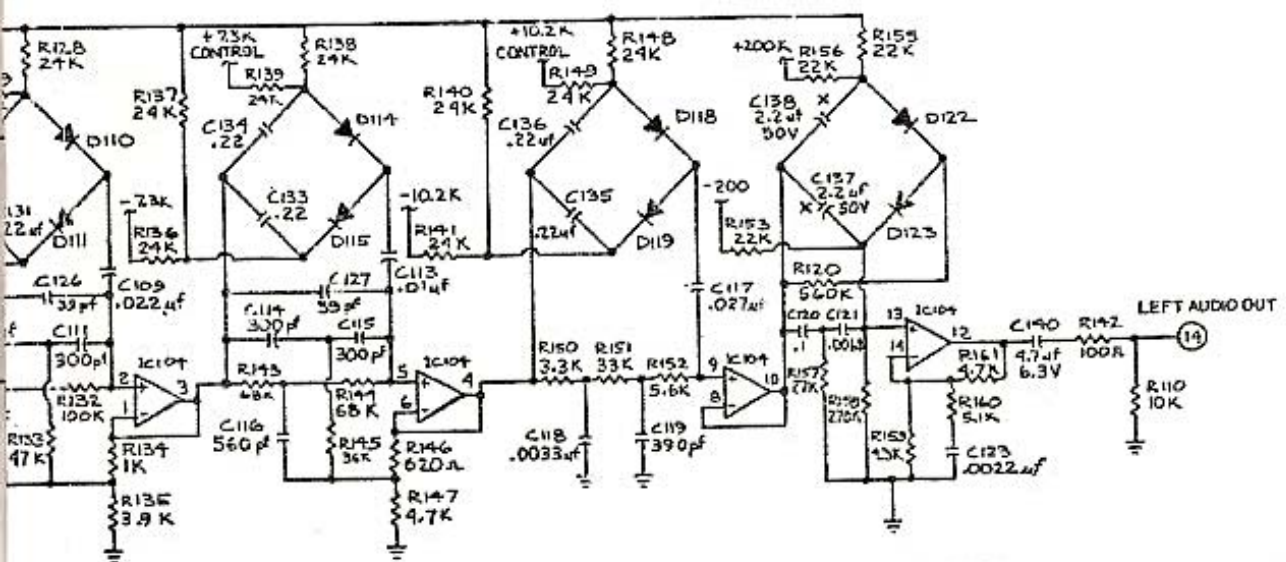
110



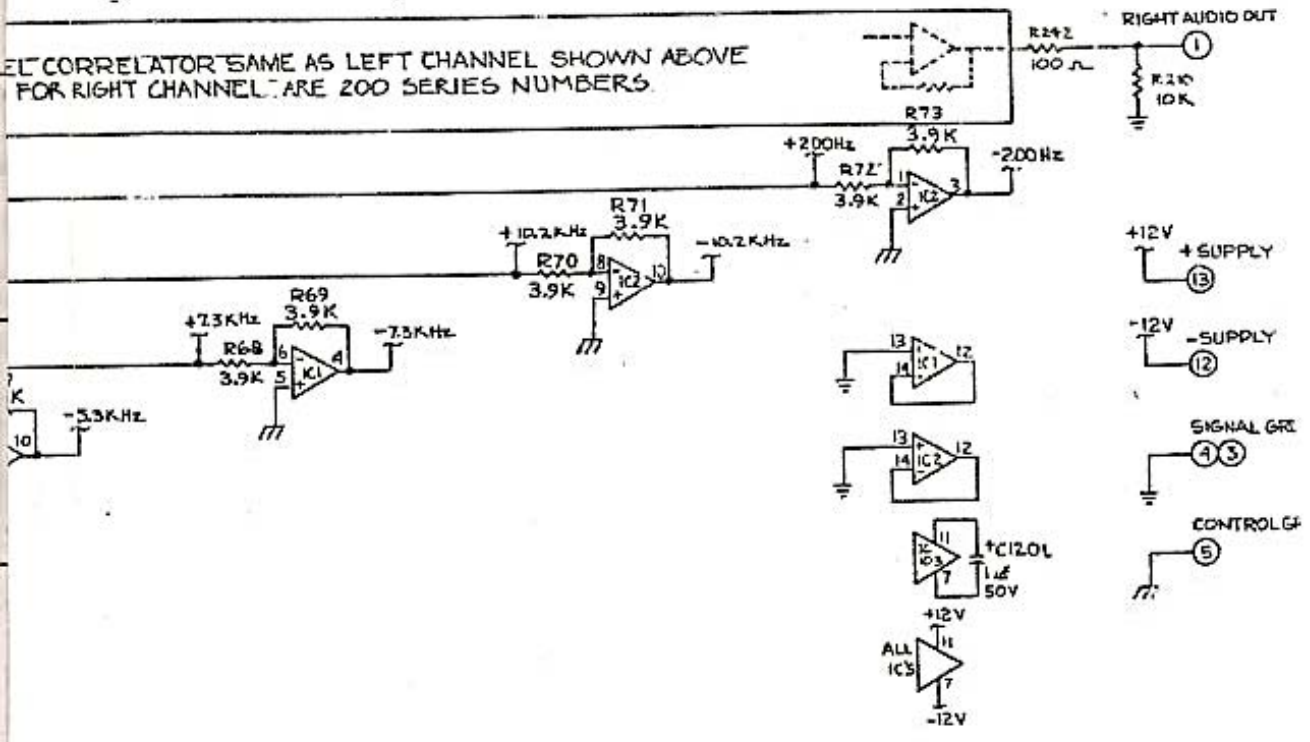
NOTE: RIGHT CHANNEL COMPONENT DESIGNATORS FOR



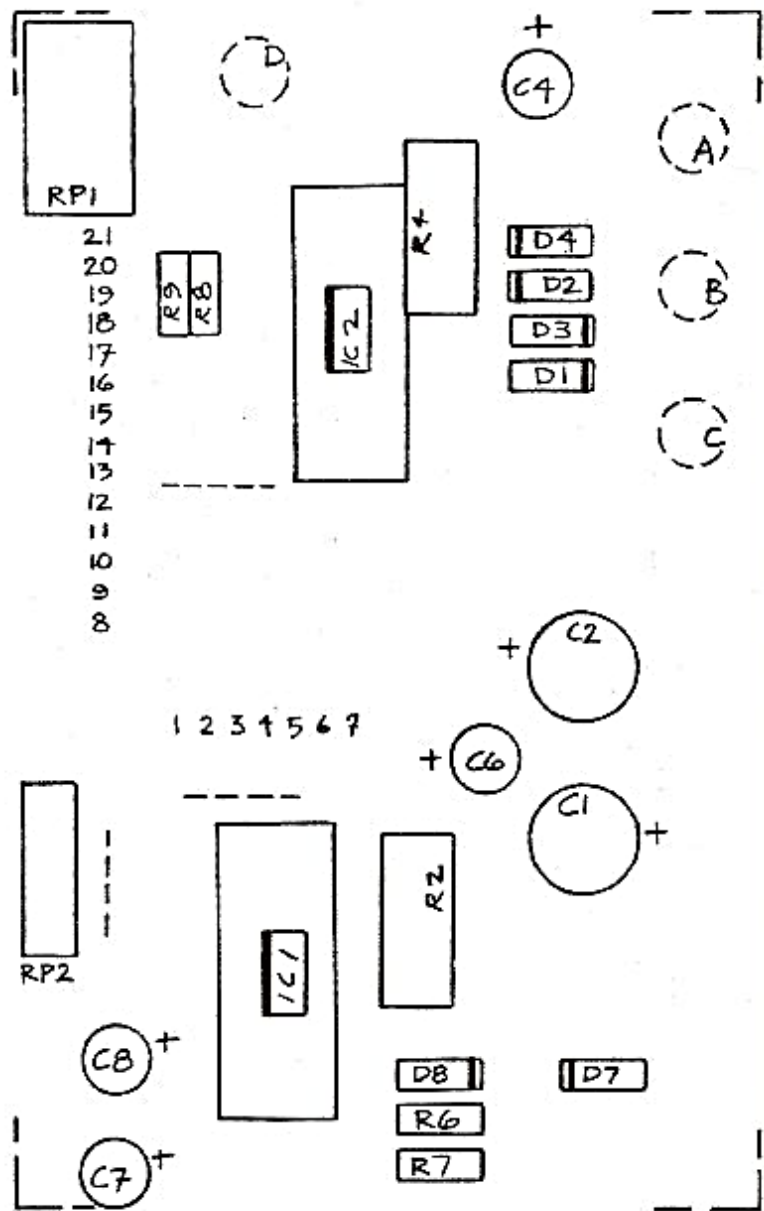
REVISED	DATE	BY	REASON
1			LAIRLS. TO PRODUCTION



RIGHT CHANNEL CORRELATOR SAME AS LEFT CHANNEL SHOWN ABOVE FOR RIGHT CHANNEL. ARE 200 SERIES NUMBERS.

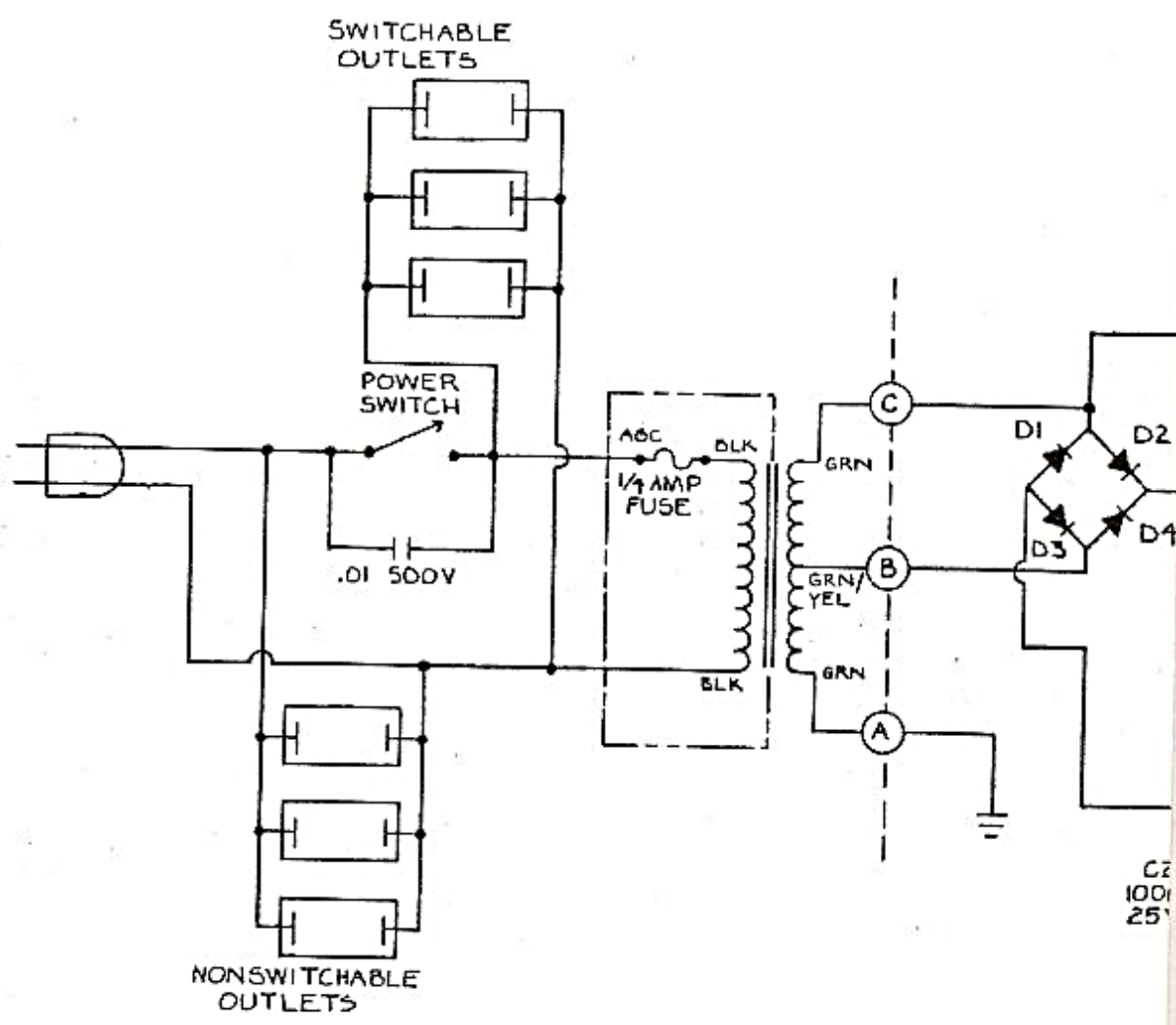


CARVER CORPORATION 4000 E CORRELATOR PCB - SCH.	
DATE: 1-15-65 DRAWN BY: J. D. BROWN CHECKED BY: J. D. BROWN	PART NO: 605-00332-00 REV: A SCALE: 1:1



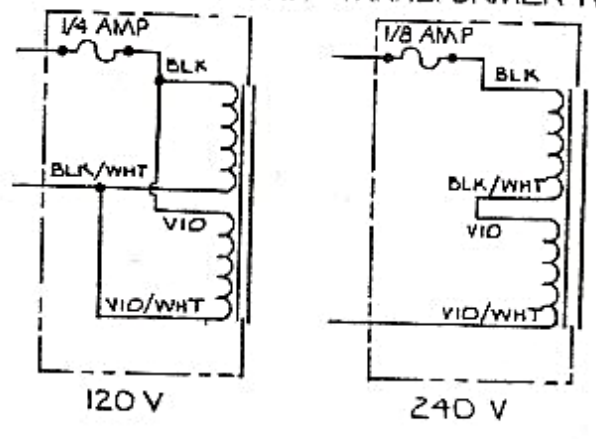
REVISIONS				
ZONE	LTR	DESCRIPTION	DATE	APPROVED
	A	RLS. TO PRODUCTION	9-8-86	DGM

CONTRACT NO.		CARVER CORPORATION		
APPROVALS	DATE	4000t POWER SUPPLY A.I.		
DRAWN				
CHECKED RELEASED	10-28 1985	SIZE	CODE IDENT NO	DRAWING NO.
				601-00333-00
		SCALE 2:1		SHEET 1 OF 1



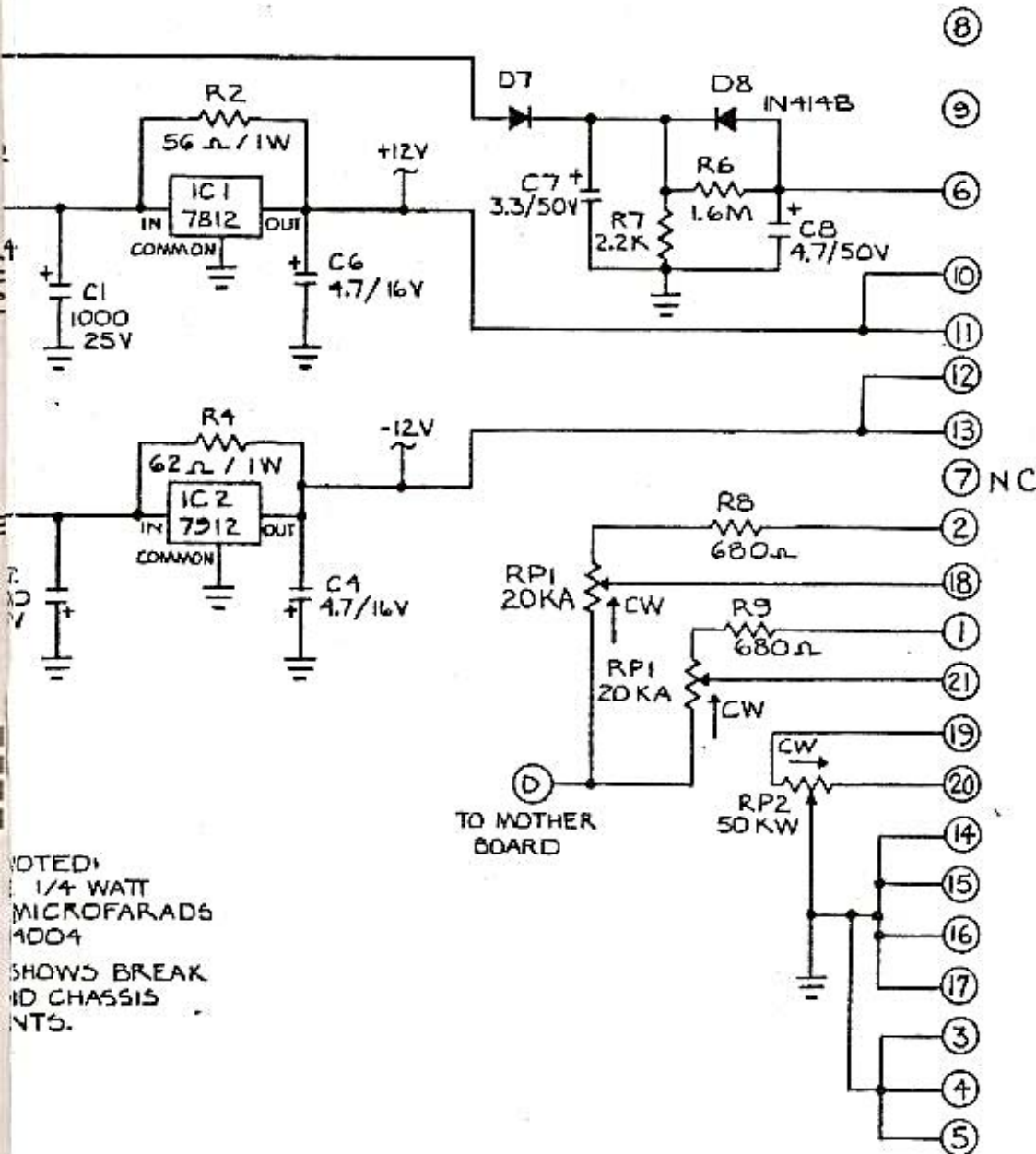
C2
100
25

CONVERTABLE UNIT TRANSFORMER WIRING



- NOTES:
- UNLESS OTHERWISE N
-ALL RESISTORS ARE
-CAPACITANCE IS IN
-ALL DIODES ARE IN
 - DASHED LINE (---) S
BETWEEN BOARD AN
MOUNTED COMPONEI

REVISIONS				
ZONE	LTR	DESCRIPTION	DATE	APPROVED
A		RLS. TO PRODUCTION	8-1-68	DGM



NOTED:
 1/4 WATT
 MICROFARADS
 1004
 SHOWS BREAK
 AND CHASSIS
 MOUNTS.

UNITS SPECIFIED		CONTRACT NO.		CARVER CORPORATION	
DIMENSIONS ARE IN INCHES		APPROVED			
FRACTIONS DECIMALS ANGLES		DATE		4000t POWER SUPPLY	
X 1/2 1/4		J. L. [Signature] 1588			
MATERIAL		CHECKED		SCHEMATIC DIAGRAM	
FINISH		SCALE		SIZE CODE IDENT NO DRAWING NO	
4000t		C		605-00335-DD	
BEST COPY USED ON		SCALE		SHEET 1 OF 1	
APPLICATION		DO NOT SCALE DRAWING			

CARVER	SERVICE BULLETIN	4000T -1-
--------	------------------	--------------

DATE 7/12/88	PRODUCT 4000T	PCB
--------------	---------------	-----

SERVICE PRIORITY	ALL UNITS
	SERIAL NOS. (specify)
	X SPECIFIC COMPLAINT Noise with volume at minimum or level difference (R-L) at low volume.

PROCEDURE TO CHANGE GAIN OF THE LINE AMPLIFIER

The line amplifier gain may be reduced as follows:
(located on phono amplifier P.C.B.)

	R 94	R 99	R 95	R100
Normal	200 ohm	200 ohm	36k	36k
reduce 3 dB	910 ohm	910 ohm	4.3k	4.3k
reduce 6 dB	1.3k	1.3k	2.2k	2.2k
reduce 9 dB	1.8k	1.8k	1.5k	1.5k
reduce 12 dB	2.4k	2.4k	1.0k	1.0k
reduce 21 dB	4.7k	4.7k	510 ohm	510 ohm

To be used as needed, to lower the noise floor. To compensate for highly efficient speakers, so that the volume control is used in the optimum tracking area.

Example: volume control is set to "9 o'clock" at max listening volume, the 21dB reduction will change volume control to "2o'clock" for same volume.

Note: This reduction will be at main 1 output only, main 2 will remain the same high level volume.